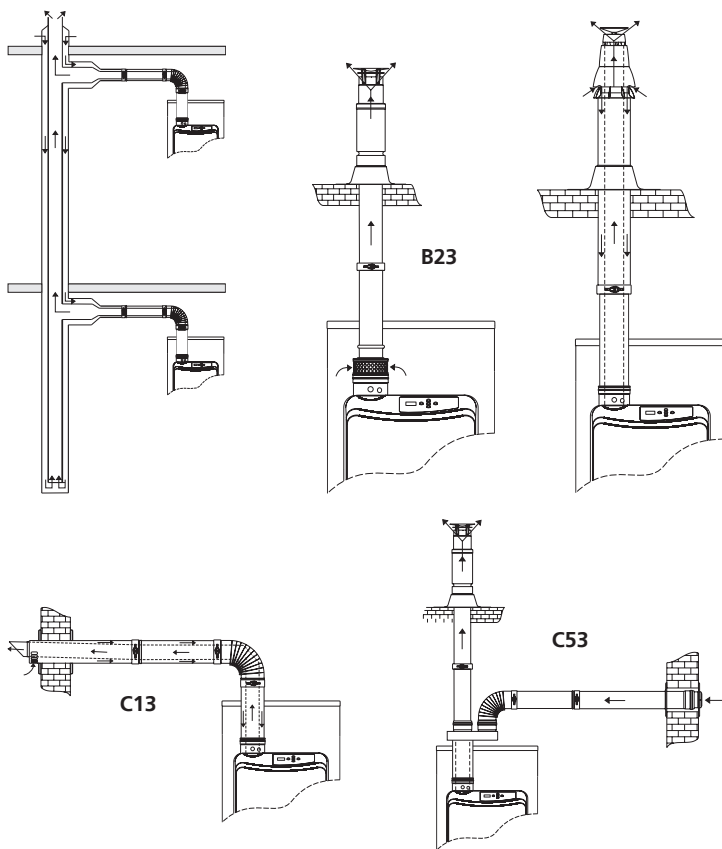


Additional flue gas discharge material Innovo

	IR-12-160	IR-20-160	IR 12-200	IR-20-200	IR-24-245	IR-32-245	IR-24-285	IR-32-285	IR-32-380
Concentric									
Diameter (mm)	80/125				80/125				
Max. length (m)	40				40				
Max. 45/90° bends	8				8				
Parallel (standard diameter)									
Diameter (mm)	80				80				
Max. length (m)	50				75				
Lequivalent/bend 90° (m)	3.9				3.9				
Lequivalent/bend 45° (m)	1.1				1.1				



Concentric system (80/125mm)		
Roof flue terminal set (Roof flue terminal, 1000mm tube, mounting flange Ø140mm)	0310755	
Roof flue terminal	0310753	
Wall flue terminal set (Wall flue terminal, 500mm tube, bend 90°)	0310759	
Wall flue terminal	0310757	
Wall flue terminal plate	0310761	
Tube concentric	L = 250 mm	0310740
	L = 500 mm	0310741
	L = 1000 mm	0310742
	L = 2000 mm	0310743
	Telescopic (280-395 mm)	0310744
Bend concentric	Cut to length	0310745
	Bend = 45°	0310734
	Bend = 90°	0310735
Mounting flange - Roof Flue Terminal Ø140mm	0302520	
Roof Tile Flue Terminal - Angle 25°-45°	0303506	

Parallel system (80/80mm)		
Adaptor PP/Alu 80/125 --> 2x 80 mm	0312209	
Roof flue terminal set (Roof flue terminal, 1000mm tube, mounting flange)	0310712	
Roof flue terminal (incl. transition piece)	0310708	
Wall flue terminal set (Wall flue terminal, 500mm tube, bend 90°)	0310730	
Wall flue terminal (incl. transition piece)	0310728	
Tube	L = 250 mm	0310718
	L = 500 mm	0310719
	L = 1000 mm	0310720
	L = 2000 mm	0310721
	Telescopic (240-360 mm)	0310722
Bend	Bend = 45°	0310701
	Bend = 90°	0310702
Bend 90° with support	0310703	
Support for bend 90° with support	0310690	

For aluminum flues, check out the manual or contact A.O. Smith.

Further information on the flue gas discharge materials can be found in the Installation Manual.