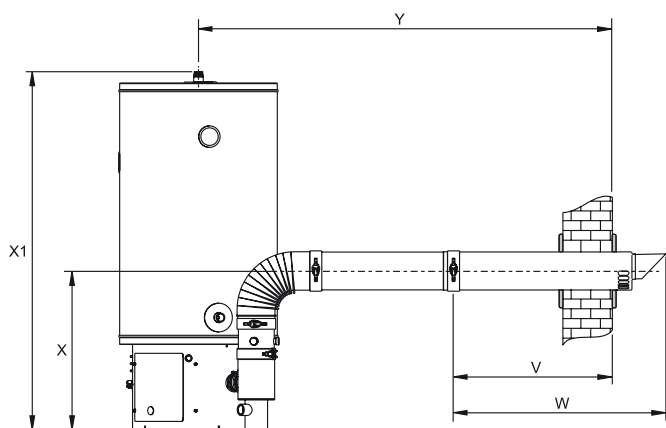


Dimensions configurations TWI 35-130 / 45-190

Wall duct concentric



	TWI 35-130	TWI 45-190
	Ø80/125	Ø80/125
V	550	550
W	725	725
X	530	530
X1	1270	1620
Y	1495	1495
Y*	1045	1045

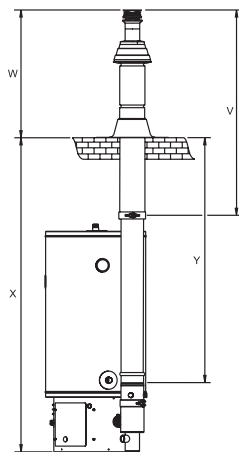
• Dimensions in mm

* Dimensions without concentric tube between the bend and the wall duct

Note:

Horizontal flue runs must be installed with a fall of at least 5mm per metre

Roof duct concentric



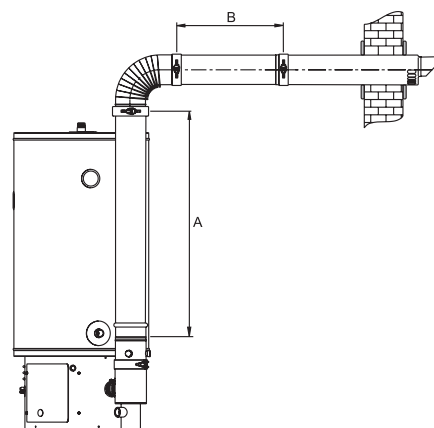
	TWI 35-130	TWI 45-190
	Ø80/125	Ø80/125
V	1305	1305
W	680	680
X	1960	1960
Y	1575	1575

• Dimensions in mm

Note:

Horizontal flue runs must be installed with a fall of at least 5mm per metre

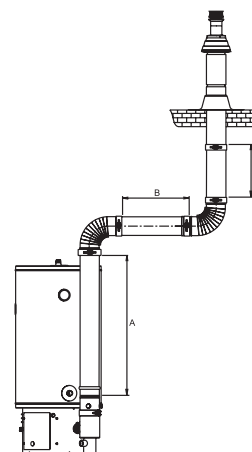
Wall duct concentric



	TWI 35-130		TWI 45-190	
	min.	max.	min.	max.
A	0	20000	0	20000
B	0	20000	0	20000
A+B	< 20000		< 20000	
bends	max. 5x45°/90°		max. 5x45°/90°	

• Dimensions in mm

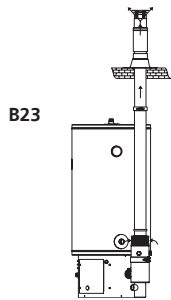
Roof duct concentric



	TWI 35-130		TWI 45-190	
	min.	max.	min.	max.
A	0	15000	0	15000
B	0	15000	0	15000
C	0	15000	0	15000
A+B+C	< 15000		< 15000	
bends	max. 5x45°/90°		max. 5x45°/90°	

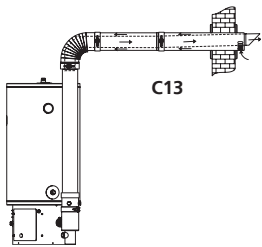
• Dimensions in mm

Materials TWI category B23 incl. art.no.



CATEGORY B23		
Description	TWI 35-130 Ø80/125	TWI 45-139 Ø80/125
Air inlet basket	0305030	0305030
Roof flue terminal	0305041	0305041
Flange roof terminal	0307172	0307172

Materials TWI category C13 incl. art.no.

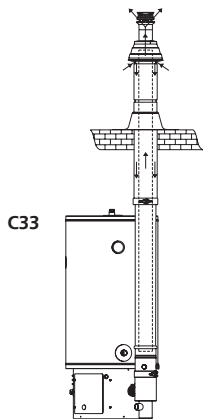


C13

CATEGORY C13		
Description	TWI 35-130 Ø80/125	TWI 45-139 Ø80/125
Wall flue terminal	0302515	0302515
Wall flue terminal set*	0302516	0302516
Conc. bend 45°	0302514	0302514
Conc. bend 90°	0302513	0302513
Conc. tube 500 mm	0302510	0302510
Conc. tube 1000 mm	0311448	0311448
Conc. tube 1500 mm	0311449	0311449
Clamping strip Y-piece	0302517(S)	0302517(S)
Adapter conc./conc.	0305009 (Ø80/125 - Ø100/150)	0305009 (Ø80/125 - Ø100/150)
Adapter conc./par.	0305028 (Ø80/125 - 2xØ100)	0305028 (Ø80/125 - 2xØ100)
Adapter par./conc.	0305029 (Ø80/125 - 2xØ80)	0305029 (Ø80/125 - 2xØ80)
Adapter par./conc.	0307177 (2xØ80 - Ø80/125)	0307177 (2xØ80 - Ø80/125)
Measurement unit	0303853	0303853

* incl. 2 wall flanges and clamping strip.

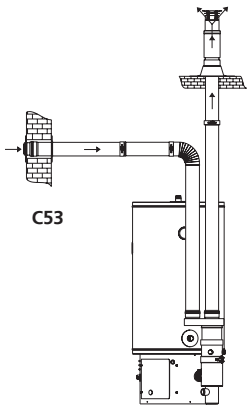
Materials TWI category C33 incl. art.no.



CATEGORY C33		
Description	TWI 35-130 Ø80/125	TWI 45-139 Ø80/125
Roof flue terminal set*	0305042	0305042
Roof flue terminal	0304983	0304983
Flange roof terminal	0302520	0302520
Conc. bend 45°	0302514	0302514
Conc. bend 90°	0302513	0302513
Conc. tube 500 mm	0302510	0302510
Conc. tube 1000 mm	0311448	0311448
Conc. tube 1500 mm	0311449	0311449
Clamping strip Y-piece	0302527(S)	0302527(S)
Adapter conc./conc.	0305009 (Ø80/125 - Ø100/150)	0305009 (Ø80/125 - Ø100/150)
Adapter conc./par.	0305028 (Ø80/125 - 2xØ100)	0305028 (Ø80/125 - 2xØ100)
	0305029 (Ø80/125 - 2xØ80)	0305029 (Ø80/125 - 2xØ80)
Adapter par./conc.	0307177 (2xØ80 - Ø80/125)	0307177 (2xØ80 - Ø80/125)
Measurement unit	0303853	0303853

* incl. 2 wall flanges and clamping strip.

Materials TWI category C53 incl. art.no.



CATEGORY C53		
Description	TWI 35-130 Ø80/125	TWI 45-139 Ø80/125
Wall flue terminal set*	0305016 (Ø80)	0305016 (Ø80)
	0305039 (Ø100)	0305039 (Ø100)
Roof flue terminal	0305041 (Ø80)	0305041 (Ø80)
	0305040 (Ø100)	0305040 (Ø100)
Flange roof terminal	0307172 (Ø80)	0307172 (Ø80)
	0307173 (Ø100)	0307173 (Ø100)
Adapter conc./par.	0305028 (Ø80/125 - 2xØ100)	0305028 (Ø80/125 - 2xØ100)
	0305029 (Ø80/125 - 2xØ80)	0305029 (Ø80/125 - 2xØ80)

* incl. 2 wall flanges.

Additional flue gas discharge material TWI



ROOF FLUE TERMINAL SET - CONCENTRIC (AL)

Description	TWI 35-130	TWI 45-190
Ø 80 / 125	0305042	0305042

○ Incl. flange and concentric tube (1m)



ROOF FLUE TERMINAL SET - PARALLEL (AL)

Description	TWI 35-130	TWI 45-190
Ø 80	0305041	0305041

○ Incl. mounting bracket and adapter



FLANGE - CONC. ROOF TERMINAL (AL)

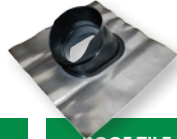
Description	Terminal		TWI 35-130	TWI 45-190
	Ø 80	Ø 110		
Parallel	Ø 80	Ø 110	0307172	0307172
Concentr.	Ø 80/125	Ø 140	0302520	0302520



WALL FLUE TERMINAL - PARALLEL

Description	TWI 35-130	TWI 45-190
Ø 80	0305016	0305016
Ø 100	0305039	0305039

○ Incl. wall flanges



ROOF TILE FOR CONC. ROOF TERMINAL (AL)

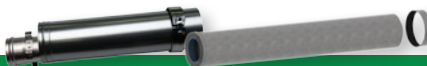
Description	TWI 35-130	TWI 45-190
Ø 80 / 125 Angle 25°-45°	0303506	0303506



WALL FLUE TERMINAL - CONCENTRIC (AL)

Description	TWI 35-130	TWI 45-190
Ø 80 / 125	0302515	0302515

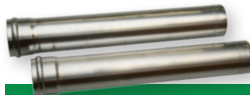
○ Incl. concentric tube (0.5m), bend (90°) and wall flanges



TUBE - CONCENTRIC (AL)

Description	TWI 35-130	TWI 45-190
Ø 80 / 125 L = 500 mm	0302510	0302510
Ø 80 / 125 L = 1000 mm	0311448	0311448
Ø 80 / 125 L = 1500 mm	0311449	0311449

○ Cuttable



TUBE - PARALLEL (AL)

Description	TWI 35-130	TWI 45-190
Ø 80 L = 500 mm	0307179	0307179
Ø 80 L = 1000 mm	0307180	0307180
Ø 80 L = 1500 mm	0307181	0307181

○ Set of 2 pieces



BEND - CONCENTRIC (AL)

Description	TWI 35-130	TWI 45-190
Ø 80 / 125 Angle 90°	0302513	0302513
Ø 80 / 125 Angle 45°	0302514	0302514



BEND - PARALLEL (AL)

Description	TWI 35-130	TWI 45-190
Ø 80 Angle 87 / 90°	0307183	0307183
Ø 80 Angle 45°	0307182	0307182



T-TUBE - CONCENTRIC (AL)

Description	TWI 35-130	TWI 45-190
Ø 80 / 125	0307487	0307487



ADAPTER - CONC. TO PAR. (AL)

Description	TWI 35-130	TWI 45-190
from to		
Ø 80 / 125 2 x Ø 80	0305029	0305029



ADAPTER - CONC. TO CONC. (AL)

Description	TWI 35-130	TWI 45-190
from to		
Ø 80 / 100 Ø 100 / 150	0305009	0305009



ADAPTER - PAR. TO CONC. (PP)

Description	TWI 35-130	TWI 45-190
from to		
2 x Ø 80 1 x Ø 125	0307177	0307177



ADAPTER - PAR. TO PAR. (AL)

Description	TWI 35-130	TWI 45-190
from to		
Ø 80 Ø 100	0307166	0307166



AIR INLET BASKET (AL)

Description	TWI 35-130	TWI 45-190
Ø 80 / 100	0305030	0305030



CLAMPING STRIP - TUBE WITH TUBE (AL)

Description	TWI 35-130	TWI 45-190
Ø 125	0302517(S)	0302517(S)



MEASUREMENT UNIT - CONCENTRIC (AL)

Description	TWI 35-130	TWI 45-190
Ø 80 / 125	0303853	0303853