

BTI

BTI parts

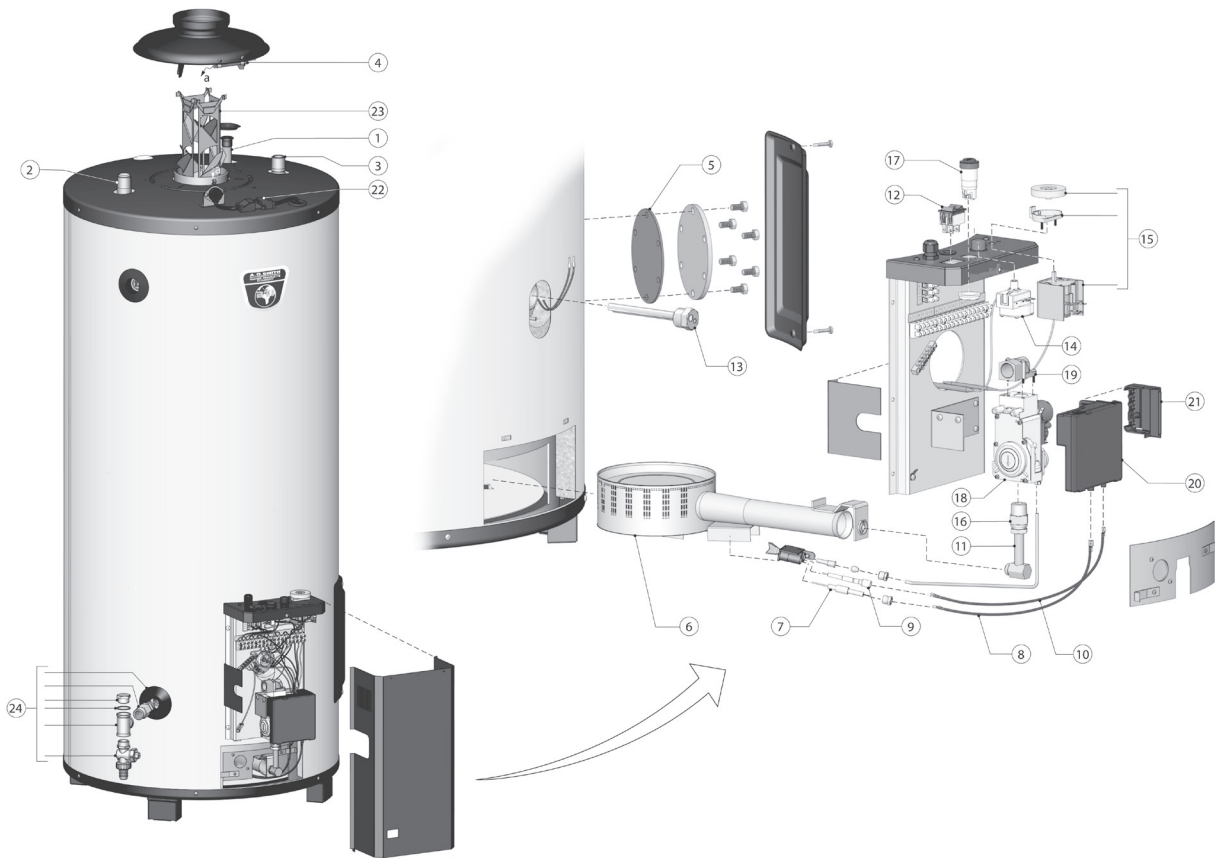


no	description	date	65	85	100
1	Magnesium anode		0183463039(S)	0183463039(S)	0183463050(S)
	Flexible magnesium anode		0304728(S)	0304728(S)	0304728(S)
2	Hot water outlet nipple		0194130002(S)	0194139(S)	0194135(S)
3	Cold water inlet		0184812(S)	0194132029(S)	0194134030(S)
4	Thermostat roll-out protection	before 01-02-'07	0305347(S)	0305345(S)	0305345(S)
		after 01-02-'07	0305347(S)	0308237(S)	0308237(S)
5	Gasket inspection opening		0301136(S)	0301136(S)	0301136(S)
6	Burner		0303236(S)	0303237(S)	0303238(S)
7	Ionisation electrode		0301964(S)	0301964(S)	0301964(S)
8	Ionisation cable		0303728(S)	0303728(S)	0303728(S)
9	Ignition electrode		0303685(S)	0303685(S)	0303685(S)
10	Ignition cable		0303729(S)	0303729(S)	0303729(S)
11	Burner tube		0303094(S)	0303481(S)	0303481(S)
12	Switch ON/OFF		0303010(S)	0303010(S)	0303010(S)
13	Immersion well		0307545(S)	0307545(S)	0307545(S)
14	Safety thermostat	before 31-01-'06	0307572(S)	0307572(S)	0307572(S)
		after 31-01-'06	0307557(S)	0307557(S)	0307557(S)
15	Control thermostat		0303031(S)	0303031(S)	0303031(S)
16	Compression fitting		0303150(S)	0303150(S)	0303150(S)
17	Reset button		0301948(S)	0301948(S)	0301948(S)
18	Gas control		0303022(S)	0303022(S)	0303022(S)
19	Elbow flange		0303026(S)	0303026(S)	0303026(S)
20	Automatic burner control		0303023(S)	0303023(S)	0303023(S)
21	Cover		0303025(S)	0303025(S)	0303025(S)
22	Thermostat roll-out protection - connection cable		0305346(S)	0305346(S)	0305346(S)
23	Flue baffle	before 01-02-'07	0301340(S)	0070239(S)	0301429(S)
		after 01-02-'07	0301340(S)	0196172001(S)	0196172001(S)
24	Drain valve kit		0301022(S)	0301022(S)	0301022(S)
	Pilot burner (NAT gas)		0303472(S)	0303472(S)	0303472(S)
	Pilot burner (LP)		0303473(S)	0303473(S)	0303473(S)

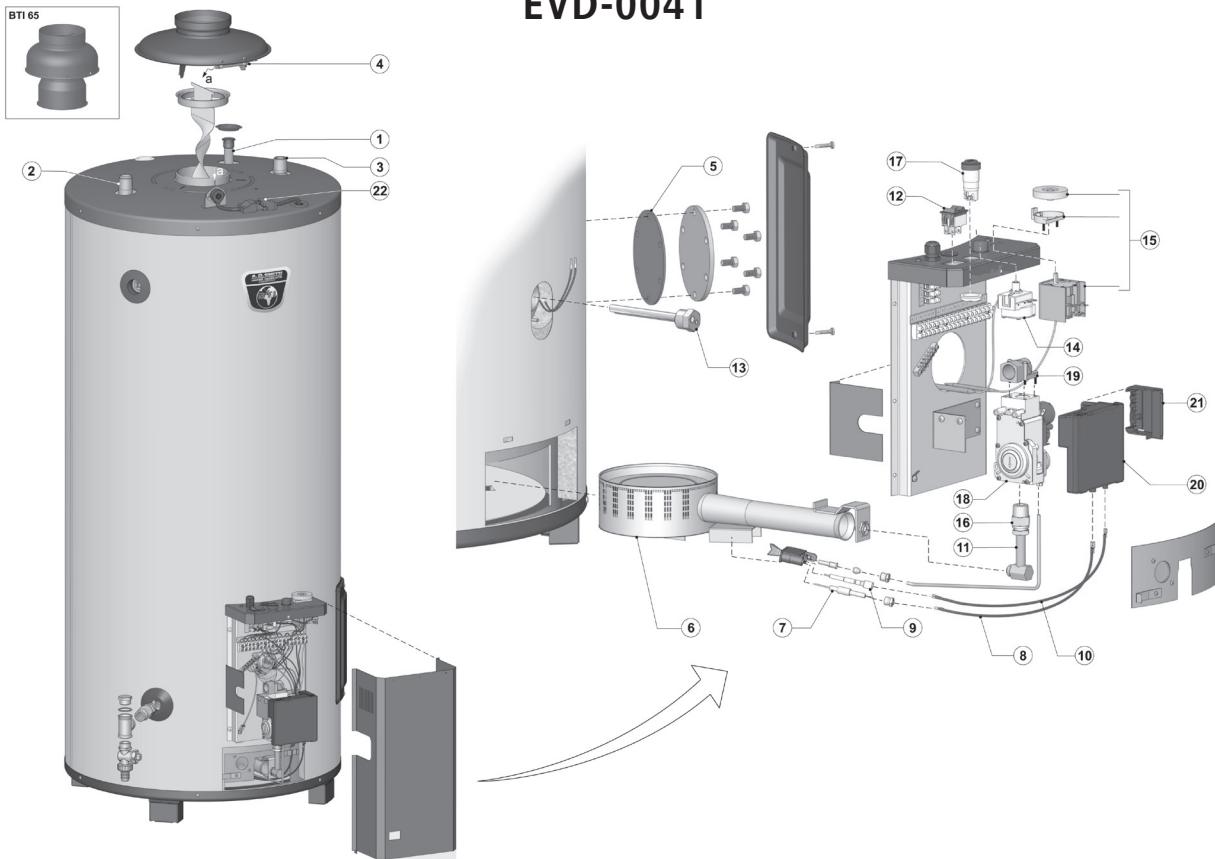
BTI accessories

description	date	65	85	100
Conversion kit to LP gas	85/100 before 31-01-'07	0303661(S)	0303662(S)	0303663(S)
Conversion kit to LP gas	85/100 after 01-02-'07	0303661(S)	0308285(S)	0308286(S)
Conversion kit to NAT gas	85/100 before 31-01-'07	0303664(S)	0303665(S)	0308288(S)
Conversion kit to NAT gas	85/100 after 01-02-'07	0303664(S)	0308287(S)	0308308(S)
Cleaning opening set	85/100 before 31-01-'07	0305082(S)	0305082(S)	0305082(S)
Protected cold supply setup 3/4" sfr	85/100 after 01-02-'07	0302706(S)	0302706(S)	0302706(S)
Power anode kit	85/100 before 31-01-'07	0308015(S)	0308015(S)	0308015(S)
Gas Cock	85/100 after 01-02-'07	0300718(S)	0300718(S)	0300718(S)
Inlet security group ¾ SFR		0302706(S)	0302706(S)	0302706(S)
Inlet security set DN32		0309926(S)	0309926(S)	0309926(S)

Exploded view BTI



EVD-0041



EVD-0026