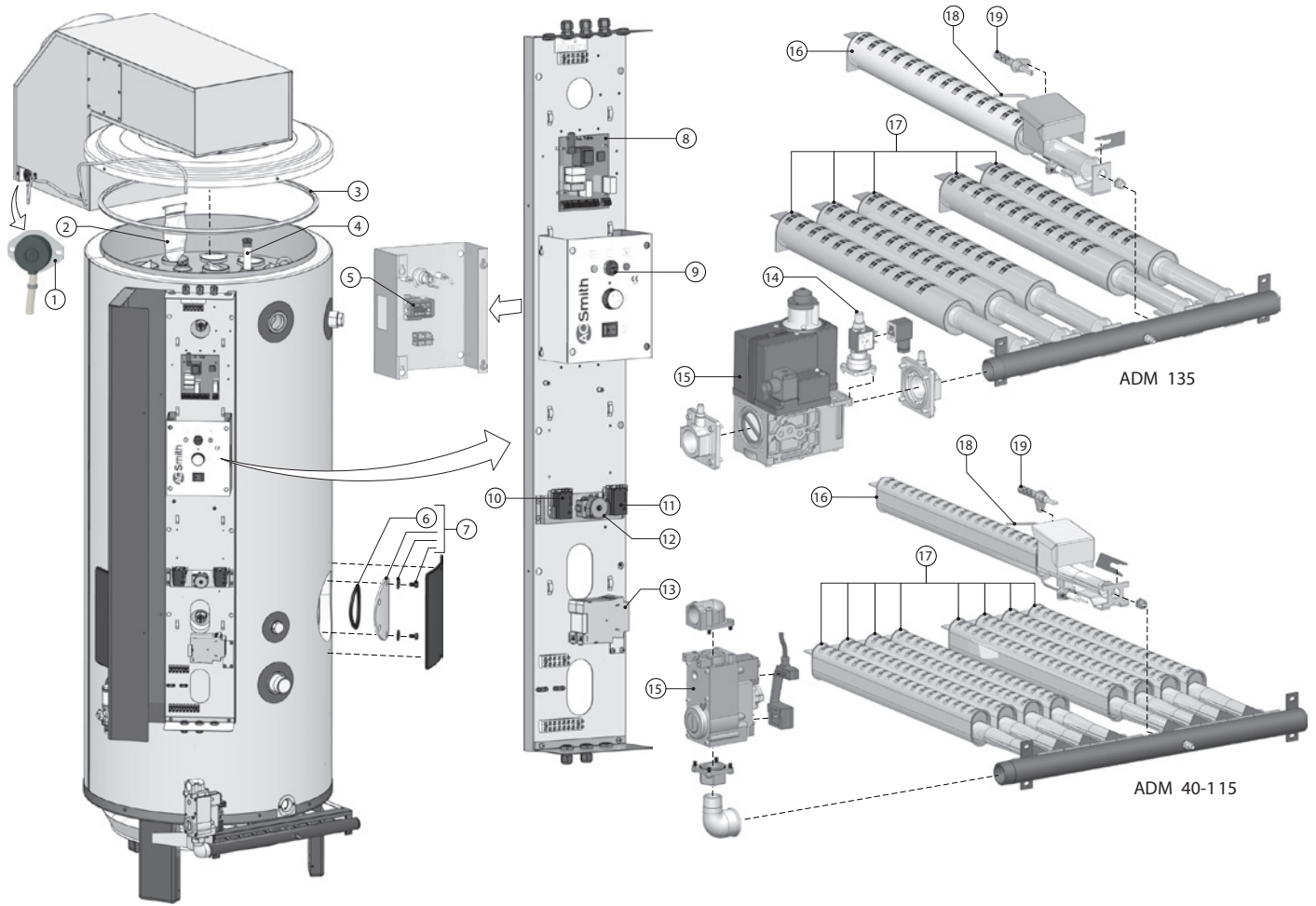
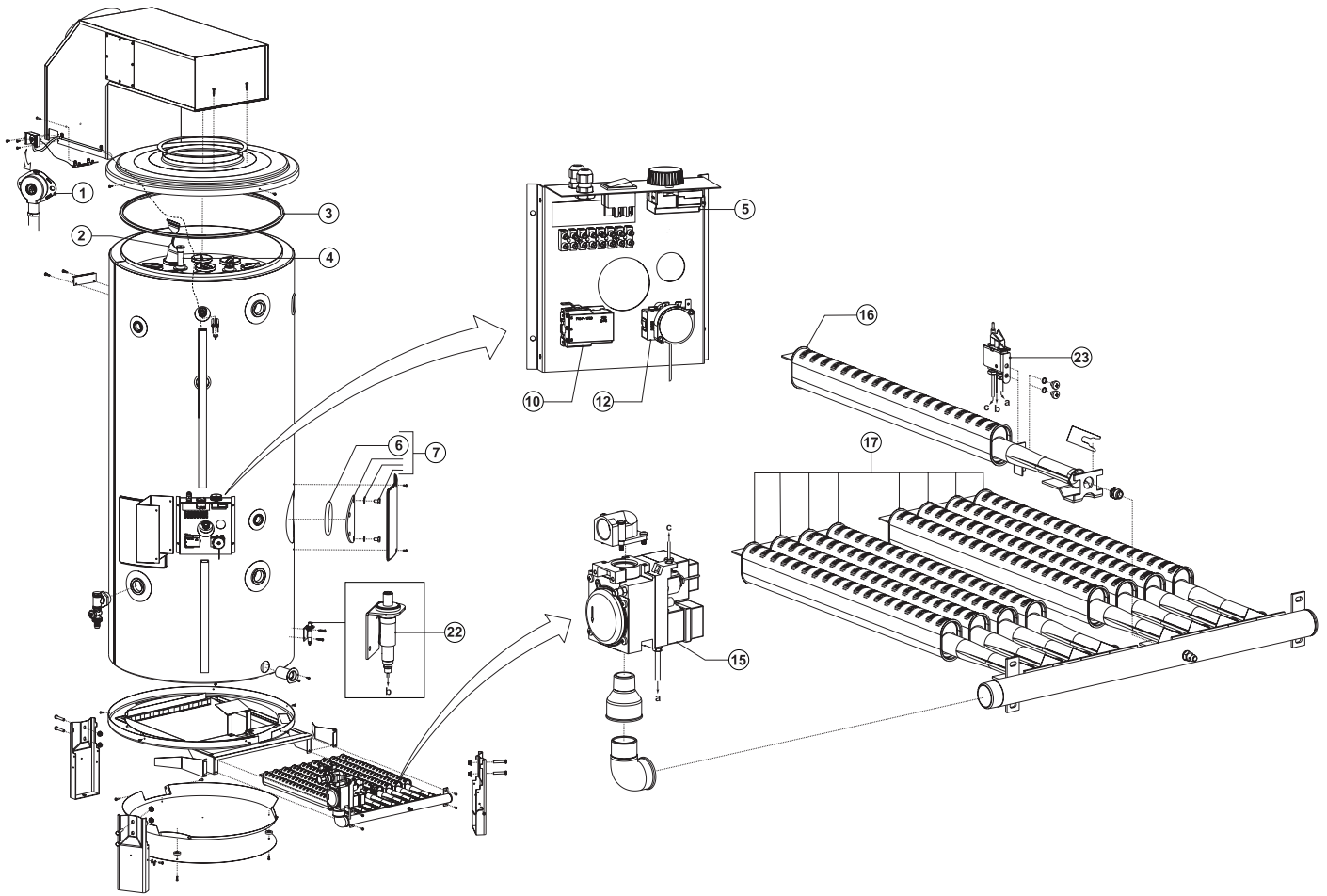


Exploded view ADM



EVD-0008


Exploded view ADMP



EVD-0007


ADM / ADMP / ADMR

ADM parts



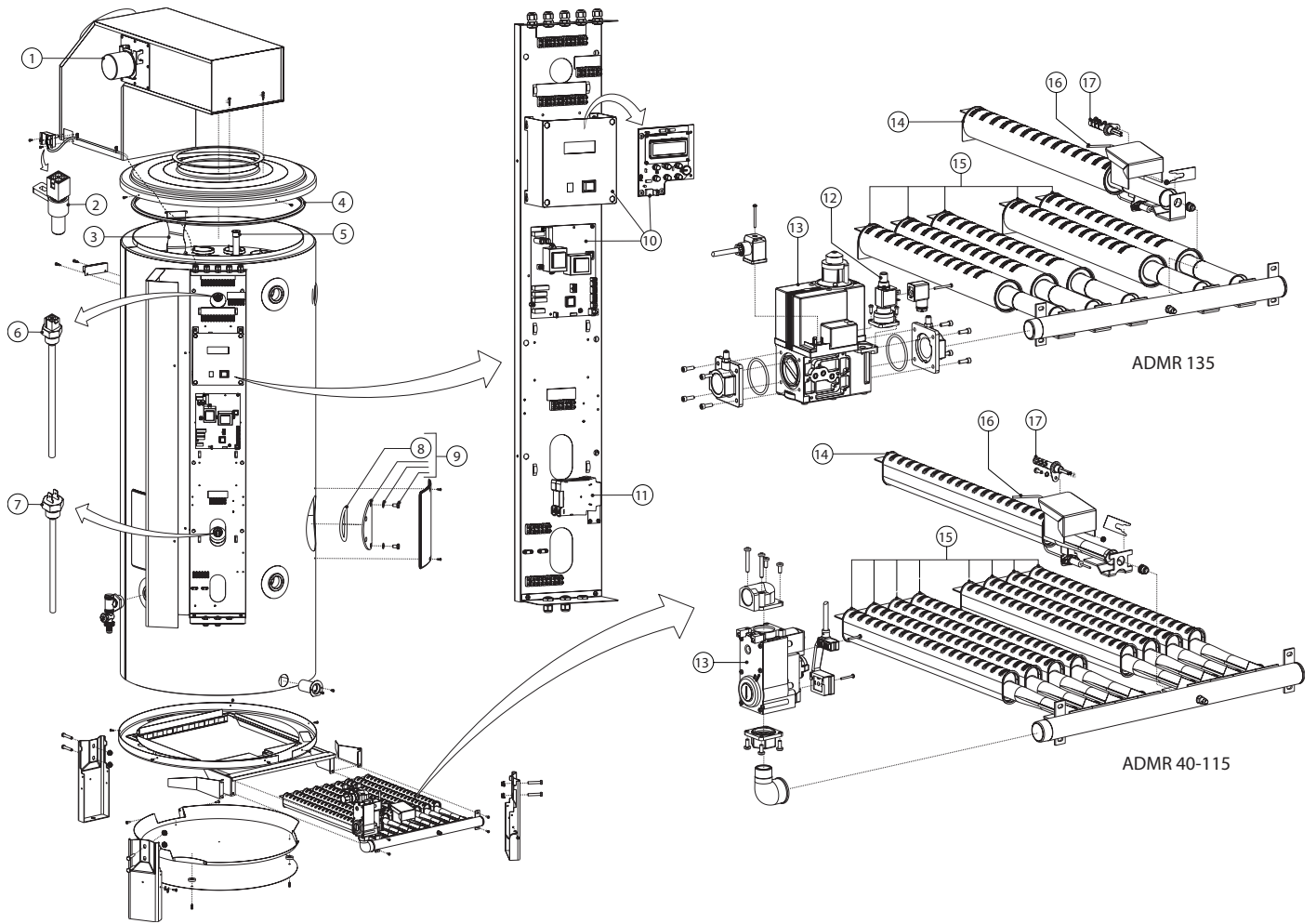
Nr.	Description	date	40	50	60	80	90	115	135
1	Flue gas thermostat	before 13-11-'05 after 13-11-'05	0303316(S) 0307450(S)	0303316(S)	0303317(S)	0303317(S)	0303318(S)	0303318(S)	0303317(S)
2	Flue baffle		0068440002(S) (5x)	0068440002(S) (6x)	0068440002(S) (7x)	0068440002(S) (9x)	0068440002(S) (12x)	0068440002(S) (16x)	0191996002(S) (17x)
3	Sealing ring tank/top cover jacket		0305098(S)	0305098(S)	0305098(S)	0305098(S)	0305098(S)	0305098(S)	0305098(S)
4	Anode		0183463039(S) (2x)	0183463050(S) (2x)	0183463039(S) (2x)	0183463050(S) (3x)	0183463039(S) (3x)	0183463039(S) (4x)	0183463039(S) (4x)
	Flexible anode		0304728(S) (2x)	0304728(S) (2x)	0304728(S) (2x)	0304728(S) (3x)	0304728(S) (3x)	0304728(S) (4x)	0304728(S) (4x)
5	Control thermostat		0302989(S)	0302989(S)	0302989(S)	0302989(S)	0302989(S)	0302989(S)	0302989(S)
6	Sealing ring cleaning opening		0304741(S)	0304741(S)	0304741(S)	0304741(S)	0304741(S)	0304741(S)	0304741(S)
7	Cleaning opening service kit		0301125(S)	0301125(S)	0301125(S)	0301125(S)	0301125(S)	0301125(S)	0301125(S)
8	Burner control		0303497(S)	0303497(S)	0303497(S)	0303497(S)	0303497(S)	0303497(S)	0303497(S)
9	Reset button		0301948(S)	0301948(S)	0301948(S)	0301948(S)	0301948(S)	0301948(S)	0301948(S)
10	High-limit thermostat		0302991(S)	0302991(S)	0302991(S)	0302991(S)	0302991(S)	0302991(S)	0302991(S)
11	Frost thermostat		0302990(S)	0302990(S)	0302990(S)	0302990(S)	0302990(S)	0302990(S)	0302990(S)
12	Safety thermostat		0300674(S)	0300674(S)	0300674(S)	0300674(S)	0300674(S)	0300674(S)	0300674(S)
13	Timer		-	-	-	-	-	-	0305024(S)
14	High-low control		-	-	-	-	-	-	0305021(S)
15	Gas control (NAT)		0300903(S)	0300903(S)	0300903(S)	0300903(S)	0300903(S)	0300808(S)	0304923(S)
	Gas control (LP)		0301099(S)	0301099(S)	0301099(S)	0301099(S)	0301099(S)	0301100(S)	0305153(S)
16	Ignition burner		0304892(S)	0304892(S)	0304892(S)	0304892(S)	0304892(S)	0304892(S)	0305321(S)
17	Burner		0304891(S) (2x)	0304891(S) (3x)	0304891(S) (4x)	0304891(S) (6x)	0304891(S) (6x)	0304891(S) (8x)	0305010(S) (5x)
18	Flame probe	after 12-05-'03	0305407(S)	0305407(S)	0305407(S)	0305407(S)	0305407(S)	0305407(S)	0305407(S)
	Hot surface igniter	before 20-10-'03	0303493(S)	0303493(S)	0303493(S)	0303493(S)	0303493(S)	0303493(S)	0303493(S)
19	Hot surface igniter	after 21-10-'03	0304242(S)	0304242(S)	0304242(S)	0304242(S)	0304242(S)	0304242(S)	0304242(S)
	Glow Igniter / ionisation service kit	before 12-05-'03	0303045(S)	0303045(S)	0303045(S)	0303045(S)	0303045(S)	0303045(S)	0303045(S)

ADMP parts



Nr.	Description	date	40	50	60	80	90	115
1	Flue gas thermostat	before 13-11-'05 after 13-11-'05	0303316(S) 0307450(S)	0303316(S)	0303317(S)	0303317(S)	0303318(S)	0303318(S)
2	Flue baffle		0068440002(S) (5x)	0068440002(S) (6x)	0068440002(S) (7x)	0068440002(S) (9x)	0068440002(S) (12x)	0068440002(S) (16x)
3	Sealing ring tank/top cover jacket		0305098(S)	0305098(S)	0305098(S)	0305098(S)	0305098(S)	0305098(S)
4	Anode		0183463039(S) (2x)	0183463050(S) (2x)	0183463039(S) (2x)	0183463050(S) (3x)	0183463039(S) (3x)	0183463039(S) (4x)
	Flexible anode		0304728(S) (2x)	0304728(S) (2x)	0304728(S) (2x)	0304728(S) (3x)	0304728(S) (3x)	0304728(S) (4x)
5	Control thermostat		0302989(S)	0302989(S)	0302989(S)	0302989(S)	0302989(S)	0302989(S)
6	Sealing ring cleaning opening		0304741(S)	0304741(S)	0304741(S)	0304741(S)	0304741(S)	0304741(S)
7	Cleaning opening service kit		0301125(S)	0301125(S)	0301125(S)	0301125(S)	0301125(S)	0301125(S)
10	High-limit thermostat		0302991(S)	0302991(S)	0302991(S)	0302991(S)	0302991(S)	0302991(S)
12	Safety thermostat		0300674(S)	0300674(S)	0300674(S)	0300674(S)	0300674(S)	0300674(S)
15	Gas control (NAT)		0070115(S)	0070115(S)	0070115(S)	0070115(S)	0070115(S)	0070115(S)
	Gas control (LP)		0070115002(S)	0070115002(S)	0070115002(S)	0070115002(S)	0070115002(S)	0070115002(S)
16	Ignition burner		0304892(S)	0304892(S)	0304892(S)	0304892(S)	0304892(S)	0304892(S)
17	Burner		0304891(S) (2x)	0304891(S) (3x)	0304891(S) (4x)	0304891(S) (6x)	0304891(S) (6x)	0304891(S) (8x)
22	Sparker		0307596(S)	0307596(S)	0307596(S)	0307596(S)	0307596(S)	0307596(S)
23	Pilot burner set (NAT)		0301104(S)	0301104(S)	0301104(S)	0301104(S)	0301104(S)	0301104(S)
	Pilot burner set (LP)		0301105(S)	0301105(S)	0301105(S)	0301105(S)	0301105(S)	0301105(S)

Exploded view ADMR



EVD-0009

ADM / ADMP / ADMR

ADMR parts



Nr.	Description	date	40	50	60	80	90	115	135
1	Flue damper	before 01-05-'00	0306648(S)	0306648(S)	0306648(S)	0306648(S)	0306649(S)	0306649(S)	0306651(S)
		01-05-'00 to 12-05-'03	0306650(S)	0306650(S)	0306650(S)	0306650(S)	0306651(S)	0306651(S)	0306651(S)
		after 12-05-'03	0306652(S)	0306652(S)	0306652(S)	0306652(S)	0306653(S)	0306653(S)	0306653(S)
2	Flue gas sensor		0304470(S)	0304470(S)	0304470(S)	0304470(S)	0304470(S)	0304470(S)	0304470(S)
3	Flue baffle		0068440002(S) (5x)	0068440002(S) (6x)	0068440002(S) (7x)	0068440002(S) (9x)	0068440002(S) (12x)	0068440002(S) (16x)	0191996002(S) (17x)
4	Sealing ring tank/top cover jacket		0305098(S)	0305098(S)	0305098(S)	0305098(S)	0305098(S)	0305098(S)	0305098(S)
5	Anode		0183463039(S) (2x)	0183463050(S) (2x)	0183463039(S) (2x)	0183463050(S) (3x)	0183463039(S) (3x)	0183463039(S) (4x)	0183463039(S) (4x)
	Flexible anode		0304728(S) (2x)	0304728(S) (2x)	0304728(S) (2x)	0304728(S) (3x)	0304728(S) (3x)	0304728(S) (4x)	0304728(S) (4x)
6	Temp.sensor T2 (top tank)		0304469(S)	0304469(S)	0304469(S)	0304469(S)	0304469(S)	0304469(S)	0304469(S)
7	Temp.sensor T1 (bottom tank)		0304468(S)	0304468(S)	0304468(S)	0304468(S)	0304468(S)	0304468(S)	0304468(S)
8	Sealing ring inspection opening		0304741(S)	0304741(S)	0304741(S)	0304741(S)	0304741(S)	0304741(S)	0304741(S)
9	Cleaning opening service kit		0301125(S)	0301125(S)	0301125(S)	0301125(S)	0301125(S)	0301125(S)	0301125(S)
10	BT tronic kit	01-05-'00 to 12-05-'03	0309752(S)	0309752(S)	0309752(S)	0309752(S)	0309752(S)	0309752(S)	n.a.
	ThermoControl kit	before 18-09-'06	0307955(S)	0307955(S)	0307955(S)	0307955(S)	0307955(S)	0307955(S)	0307955(S)
		after 18-09-'06	0307951(S)	0307951(S)	0307951(S)	0307951(S)	0307951(S)	0307951(S)	0307951(S)
11	Timer (LP)		-	-	-	-	-	-	0305024(S)
12	High-low control (LP)		-	-	-	-	-	-	0305021(S)
13	Gas control (NAT)		0300903(S)	0300903(S)	0300903(S)	0300903(S)	0300903(S)	0300808(S)	0304923(S)
	Gas control (LP)		0301099(S)	0301099(S)	0301099(S)	0301099(S)	0301099(S)	0301100(S)	0305153(S)
14	Ignition burner		0304892(S)	0304892(S)	0304892(S)	0304892(S)	0304892(S)	0304892(S)	0305321(S)
15	Burner		0304891(S) (2x)	0304891(S) (3x)	0304891(S) (4x)	0304891(S) (6x)	0304891(S) (6x)	0304891(S) (8x)	0305010(S) (5x)
16	Flame probe	after 12-05-'03	0305407(S)	0305407(S)	0305407(S)	0305407(S)	0305407(S)	0305407(S)	0305407(S)
17	Glow igniter	before 31-08-'03	0303493(S)	0303493(S)	0303493(S)	0303493(S)	0303493(S)	0303493(S)	0303493(S)
		01-09-'03 to 31-05-'05	0307303(S)	0307303(S)	0307303(S)	0307303(S)	0307303(S)	0307303(S)	0307303(S)
		after 01-06-'05	0305413(S)	0305413(S)	0305413(S)	0305413(S)	0305413(S)	0305413(S)	0305413(S)

ADM / ADMP / ADMR accessories

Description	date	40	50	60	80	90	115	135
Conversion set to LP-gas		0303245(S)	0303246(S)	0303247(S)	0303248(S)	0303249(S)	0303250(S)	0308106(S)
Conversion set to NAT-gas		0303258(S)	0303259(S)	0303260(S)	0303261(S)	0303262(S)	0303263(S)	0312593(S)
Conversion set to NAT-gas ADMP		0309871(S)	0309872(S)	0309873(S)	0309874(S)	0309875(S)	0309876(S)	-
Inlet security group G1"		0070066003(S)	0070066003(S)	0070066003(S)	0070066003(S)	0070066003(S)	0070066003(S)	0070066003(S)
Isolating transformer kit ADMR		0306053(S)	0306053(S)	0306053(S)	0306053(S)	0306053(S)	0306053(S)	0306053(S)
Power anode kit ADM / ADMR	after 01-08-'06	0308017(S)	0308017(S)	0308017(S)	0308017(S)	0308017(S)	0308017(S)	0308017(S)
Power anode kit ADMP	after 01-08-'06	0308016(S)	0308016(S)	0308016(S)	0308016(S)	0308016(S)	0308016(S)	-
Potential free switch kit ADMR		n.a.	n.a.	n.a.	n.a.	n.a.	n.a.	n.a.
Gas cock		0300719(S)	0300719(S)	0300719(S)	0300719(S)	0300719(S)	0300719(S)	0308419(S)
Inlet security group DN40		0309927(S)	0309927(S)	0309927(S)	0309927(S)	0309927(S)	0309927(S)	0309927(S)
Reducing Nipple 1½" x 1"NPT		-	-	-	-	n.a.	n.a.	n.a.