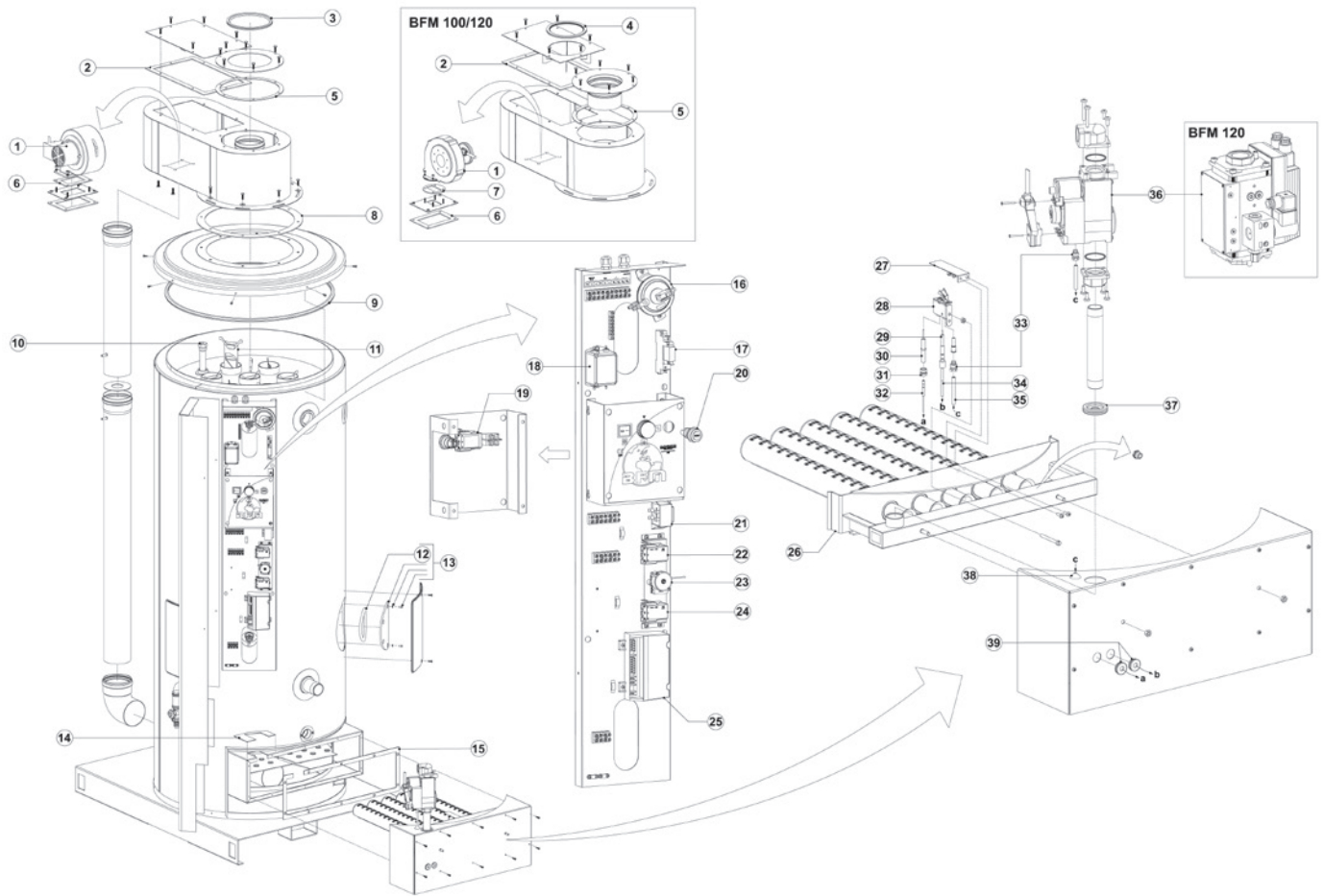


Exploded view BFM



EVD-0010

BFM

BFM parts



no	description	date	30	50	80	100	120
1	Fan	after 7-5-'04	0306689(S)	0306689(S)	0306689(S)	0306687(S)	0306687(S)
	Fanservice kit	before 7-5-'04	0307257(S)	0306887(S)	0306888(S)	0306687(S)	0306687(S)
2	Gasket topbox/cover		0306712(S)	0306712(S)	0306712(S)	0306712(S)	0306712(S)
3	Sealing ring flue gas discharge		0302466(S)	0302465(S)	0302312(S)	-	-
4	Sealing ring air supply		-	-	-	0306784(S)	0306784(S)
5	Gasket topbox/flue reducer		0303976(S)	0303976(S)	0303976(S)	0303976(S)	0303976(S)
6	Gasket fan/bracket		0302223(S)	0302223(S)	0302223(S)	0304022(S)	0304022(S)
7	Gasket topbox/fan		0306384(S)	0306384(S)	0306384(S)	0306384(S)	0306384(S)
8	Gasket topcover/topbox		0302222(S)	0302222(S)	0302222(S)	0302222(S)	0302222(S)
9	Sealing ring tank/cover		0305098(S)	0305098(S)	0305098(S)	0305098(S)	0305098(S)
10	Anode		0183463039(S) (2x)	0183463039(S) (2x)	0183463039(S) (4x)	0183463039(S) (4x)	0183463039(S) (4x)
	Flexible anode		0304728(S) (2x)	0304728(S) (2x)	0304728(S) (4x)	0304728(S) (4x)	0304728(S) (4x)
11	Flue baffle		0192121(S) (5x)	0192121(S) (7x)	0192121(S) (16x)	0192121002(S) (16x)	0192121002(S) (16x)
12	Sealing ring cleaning opening		0304741(S)	0304741(S)	0304741(S)	0304741(S)	0304741(S)
13	Cleaning opening service kit		0301125(S) (2x)	0301125(S) (2x)	0301125(S) (2x)	0301125(S) (2x)	0301125(S) (2x)
14	Gasket top combustion chamber/burner tray		0302220(S)	0302220(S)	0302220(S)	0302220(S)	0302220(S)
15	Gasket front combustion chamber/burner tray		0302219(S)	0302219(S)	0302219(S)	0302219(S)	0302219(S)
16	Air pressure switch	before 11-04-'05	0305488(S)	-	-	-	-
		after 12-04-'05	0307251(S)	-	-	-	-
		after 07-05-'04	-	0305488(S)	-	-	-
			-	-	0305487(S)	-	-
			-	-	-	0306693(S)	0306694(S)
17	Relais		0305472(S)	0305472(S)	0305472(S)	0305472(S)	0305472(S)
18	EMC-Filter		0305486(S)	0305486(S)	0305486(S)	0305486(S)	0305486(S)
19	Control thermostat		0302989(S)	0302989(S)	0302989(S)	0302989(S)	0302989(S)
20	Reset button		0301948(S)	0301948(S)	0301948(S)	0301948(S)	0301948(S)
21	Transformer		0302212(S)	0302212(S)	0302212(S)	0302212(S)	0302212(S)
22	High-limit thermostat		0302991(S)	0302991(S)	0302991(S)	0302991(S)	0302991(S)
23	Safety thermostat		0300674(S)	0300674(S)	0300674(S)	0300674(S)	0300674(S)
24	Frost thermostat		0302990(S)	0302990(S)	0302990(S)	0302990(S)	0302990(S)
25	Burner control		0301960(S)	0301960(S)	0301960(S)	0301960(S)	0301960(S)
26	Burner tray		0302720(S)	0302721(S)	0302722(S)	0302722(S)	0302722(S)
27	Protection plate pilot flame		0302320(S)	0302320(S)	0302320(S)	0302320(S)	0302320(S)
28	Pilot burner		0301086(S)	0301086(S)	0301086(S)	0301086(S)	0301086(S)
29	Ignition electrode		0303685(S)	0303685(S)	0303685(S)	0303685(S)	0303685(S)
30	Flame probe		0071608(S)	0071608(S)	0071608(S)	0071608(S)	0071608(S)
31	Cap nut		0302419(S)	0302419(S)	0302419(S)	0302419(S)	0302419(S)
32	Ionisation electrode cable		0305645(S)	0305645(S)	0305645(S)	0305645(S)	0305645(S)
33	Compression fitting		0070300002(S)	0070300002(S)	0070300002(S)	0070300002(S)	0070300002(S)
34	Ignition electrode cable		0305646(S)	0305646(S)	0305646(S)	0305646(S)	0305646(S)
35	Pilot tube		0070800003(S)	0070800003(S)	0070800003(S)	0070800003(S)	0070800003(S)
36	Gas control (NAT)		0301961(S)	0301961(S)	0301961(S)	0301961(S)	0306772(S)
	Gas control (LP)		0302209(S)	0302209(S)	0302209(S)	0302209(S)	0306772(S)
	Sealing set 37+38+39		0302258(S)	0302258(S)	0302258(S)	0302258(S)	0302258(S)
	Pilot burner (NAT)		0301954(S)	0301954(S)	0301954(S)	0301954(S)	0301954(S)
	Pilot burner (LP)		0302291(S)	0302291(S)	0302291(S)	0302291(S)	0302291(S)

BFM accessories

description	date	30	50	80	100	120
Conversion set to NAT-gas		0302689(S)	0302690(S)	0302691(S)	0306830(S)	0306831(S)
Inlet security group G1"		0070066003(S)	0070066003(S)	0070066003(S)	0070066003(S)	0070066003(S)
T&P valve 1" NO WRAS		0099383005(S)	0099383005(S)	0099383005(S)	0099383005(S)	0099383005(S)
Power anode kit	after 01-02-'06	0308017(S)	0308017(S)	0308017(S)	0308017(S)	0308017(S)
Power anode kit	before 01-02-'06	n.a.	n.a.	n.a.	0308017(S)	0308017(S)
Gas Cock		0300719(S)	0300719(S)	0300719(S)	0300719(S)	0300719(S)
Electrical anode set	before 02-12-'05	n.a.	n.a.	n.a.	0308017(S)	0308017(S)
Electrical anode set	after 2-12-'05	0308017(S)	0308017(S)	0308017(S)	0308017(S)	0308017(S)
Electrical anode set 232 mm	before 02-12-'05	0306161(S)	0306161(S)	0306161(S)	0306161(S)	0306161(S)
Electrical anode set 402 mm	before 02-12-'05	0306360(S)	0306360(S)	0306360(S)	0306360(S)	0306360(S)
Electrical anode set 300mm	after 03-12-'05	0307448(S)	0307448(S)	0307448(S)	0307448(S)	0307448(S)
Potentiostat		0306160(S)	0306160(S)	0306160(S)	0306160(S)	0306160(S)
LED		0306162(S)	0306162(S)	0306162(S)	0306162(S)	0306162(S)
Cover plate	before 02-12-'05	0306621(S)	0306621(S)	0306621(S)	0306621(S)	0306621(S)
Reducing nipple 1½" x 1"NPT		-	-	n.a.	n.a.	n.a.
Inlet security group DN40		0309927(S)	0309927(S)	0309927(S)	0309927(S)	0309927(S)

Parts that are marked yellow are parts that are used for maintenance.