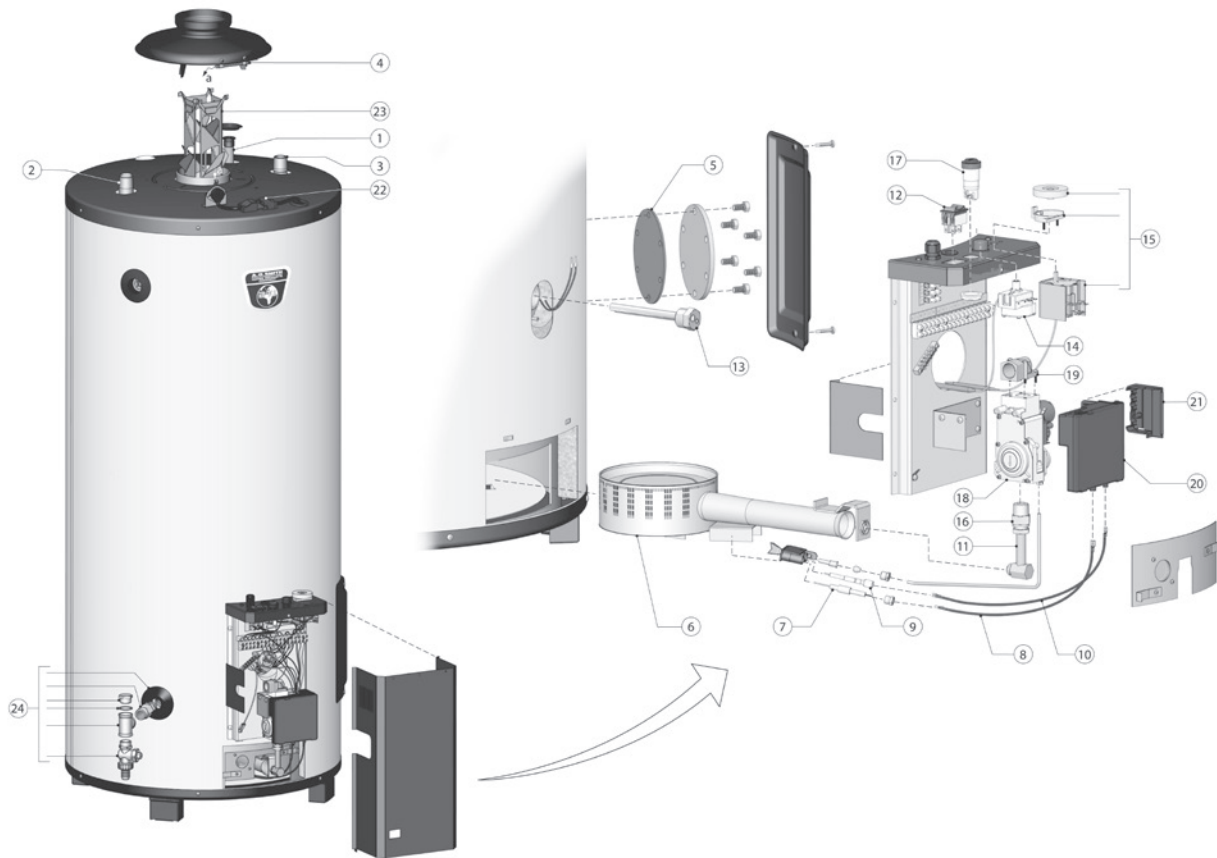
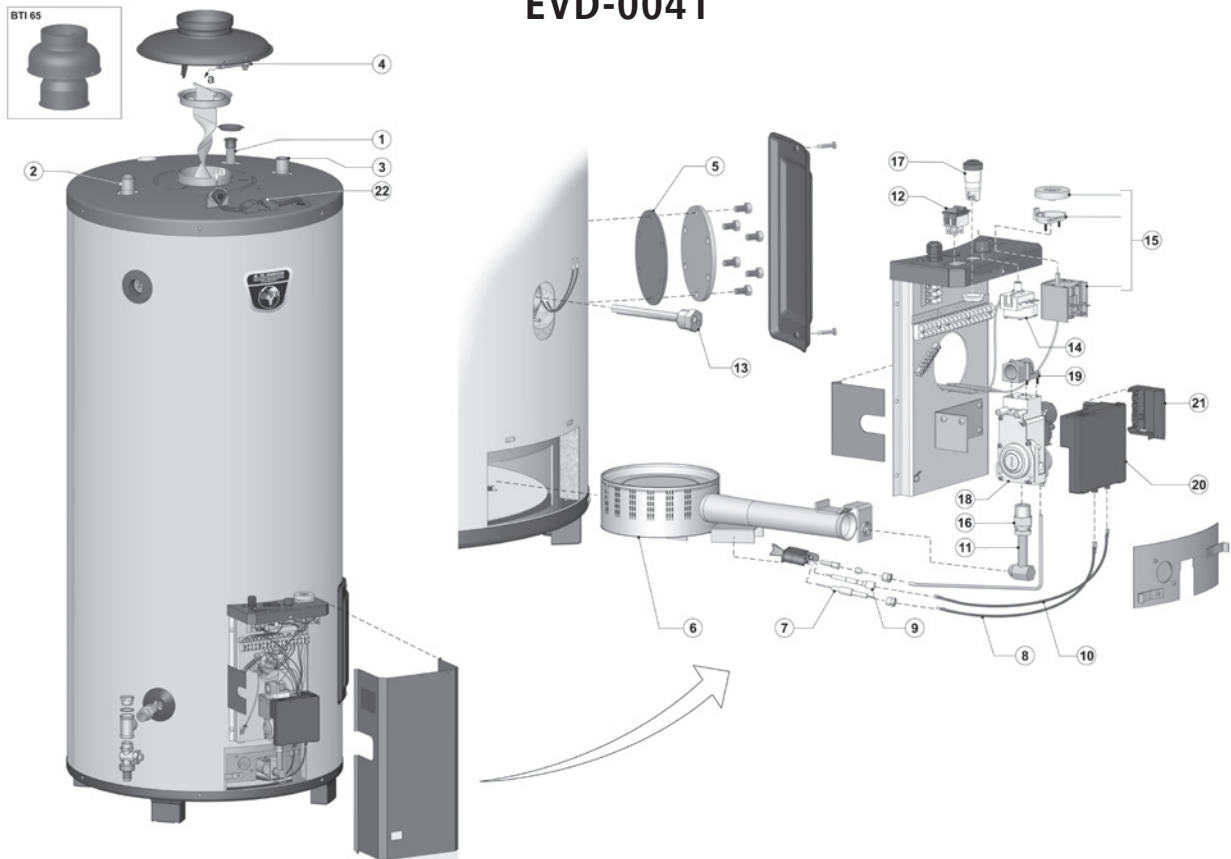


Exploded view BTI



EVD-0041



EVD-0026

BTI

BTI parts



no	description	date	65	85	100
1	Anode		0183463039(S)	0183463039(S)	0183463050(S)
	Flexible anode		0304728(S)	0304728(S)	0304728(S)
2	Hot water outlet nipple		0194130002(S)	0194139(S)	0194135(S)
3	Cold water inlet		0184812(S)	0194132029(S)	0194134030(S)
4	Thermostat roll-out protection	before 01-07-'07	0305347(S)	0305345(S)	0305345(S)
		after 01-07-'07	0305347(S)	0308237(S)	0308237(S)
5	Gasket inspection opening		0301136(S)	0301136(S)	0301136(S)
6	Burner		0303236(S)	0303237(S)	0303238(S)
7	Ionisation electrode		0301964(S)	0301964(S)	0301964(S)
8	Ionisation cable		0303728(S)	0303728(S)	0303728(S)
9	Ignition electrode		0303685(S)	0303685(S)	0303685(S)
10	Ignition cable		0303729(S)	0303729(S)	0303729(S)
11	Burner tube		0303094(S)	0303481(S)	0303481(S)
12	Switch ON/OFF		0303010(S)	0303010(S)	0303010(S)
13	Immersion well		0307545(S)	0307545(S)	0307545(S)
14	Safety thermostat	before 31-01-'06	0307572(S)	0307572(S)	0307572(S)
		after 31-01-'06	0307557(S)	0307557(S)	0307557(S)
15	Control thermostat		0303031(S)	0303031(S)	0303031(S)
16	Compression fitting		0303150(S)	0303150(S)	0303150(S)
17	Reset button		0301948(S)	0301948(S)	0301948(S)
18	Gas control		0303022(S)	0303022(S)	0303022(S)
19	Elbow flange		0303026(S)	0303026(S)	0303026(S)
20	Automatic burner control		0303023(S)	0303023(S)	0303023(S)
21	Cover		0303025(S)	0303025(S)	0303025(S)
22	Thermostat roll-out protection - connection cable		0305346(S)	0305346(S)	0305346(S)
23	Flue baffle	before 01-07-'07	n.a.	0070239(S)	0301429(S)
		after 01-07-'07	n.a.	0196172001(S)	0196172001(S)
24	Drain valve kit		0301022(S)	0301022(S)	0301022(S)
	Pilot burner (NAT)		0303472(S)	0303472(S)	0303472(S)
	Pilot burner (LP)		0303473(S)	0303473(S)	0303473(S)

BTI accessories

description	date	BTI 65	BTI 85	BTI 100
Conversion kit to LP-gas	before 31-01-'07	0303661(S)	0303662(S)	0303663(S)
	after 01-02-'07	0303661(S)	0308285(S)	0308286(S)
Conversion kit to NAT-gas	before 31-01-'07	0303664(S)	0303665(S)	0303666(S)
	after 01-02-'07	0303664(S)	0308287(S)	0308288(S)
Cleaning opening set		0305082(S)	0305082(S)	0305082(S)
Inlet security group 3/4" sfr		0302706(S)	0302706(S)	0302706(S)
Power anode kit		0308015(S)	0308015(S)	0308015(S)
Gas cock		0300718(S)	0300718(S)	0300718(S)
Inlet security group 3/4" sfr		0302706(S)	0302706(S)	0302706(S)
Inlet security group DN32		-	-	0309926(S)

Parts that are marked yellow are parts that are used for maintenance.