

COF + exploded view COF

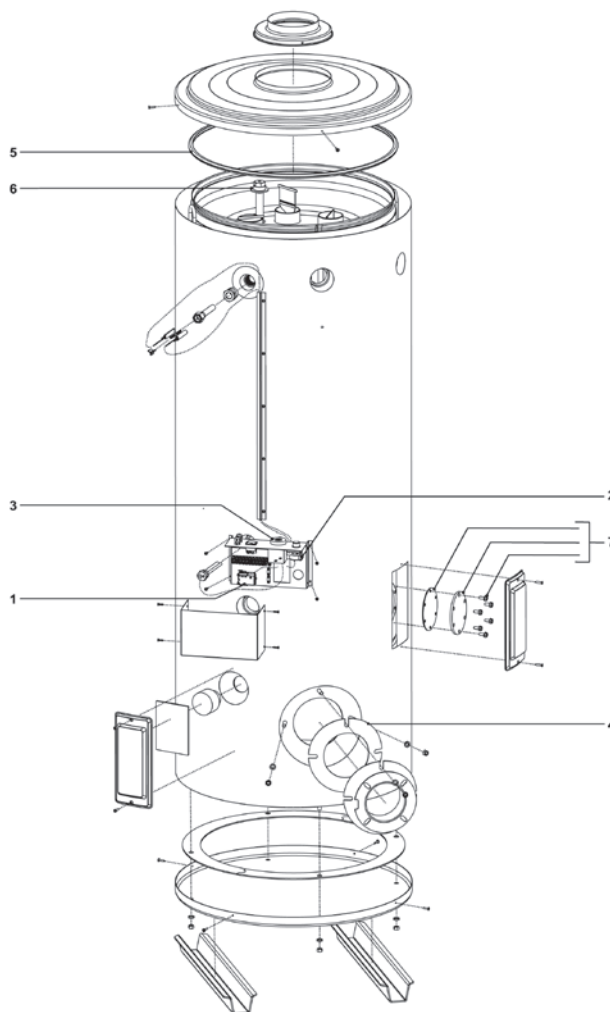
COF parts



No	description	199	245	315	385	455	700
1	High-limit thermostat (84°)	0302991(S)	0302991(S)	0302991(S)	0302991(S)	0302991(S)	0302991(S)
2	Safety thermostat (95°)	0304855(S)	0304855(S)	0304855(S)	0304855(S)	0304855(S)	0304855(S)
3	Control thermostat (40- 80°)	0303031(S)	0303031(S)	0303031(S)	0303031(S)	0303031(S)	0303031(S)
4	Gasket burner flange	0305044(S)	0305044(S)	0305044(S)	0305044(S)	0305044(S)	0305044(S)
5	Sealant U-profile	0305098(S)	0305098(S)	0305098(S)	0305098(S)	0305098(S)	0305098(S)
6	Anode	0183463039(S) (2x)	0183463039(S) (2x)	0183463039(S) (2x)	0183463039(S) (3x)	0183463039(S) (3x)	0183463039(S) (4x)
	Flexible anode	0304728(S) (2x)	0304728(S) (2x)	0304728(S) (2x)	0304728(S) (3x)	0304728(S) (3x)	0304728(S) (4x)
7	Cleaning opening set	0305082(S)	0305082(S)	0305082(S)	0305082(S)	0305082(S)	0305082(S)

COF accessories

description	199	245	315	385	455	700
Conversion set to LP-gas	0305130(S)	0305130(S)	0305131(S)	0305131(S)	0305131(S)	0305131(S)
Conversion set to NAT-gas	0305215(S)	0305215(S)	0305216(S)	0305216(S)	0305216(S)	0305216(S)
Oil orifice	n.d.	0305136(S)	0305137(S)	n.a.	n.a.	n.a.
Inlet security group G1"	0070066003(S)	0070066003(S)	0070066003(S)	0070066003(S)	0070066003(S)	0070066003(S)
T&P valve 1" NO WRAS	0099383005(S)	0099383005(S)	0099383005(S)	0099383005(S)	0099383005(S)	0099383005(S)
Electric anode kit	0308018(S)	0308018(S)	0308018(S)	0308018(S)	0308018(S)	0308018(S)
Inlet security group DN40	0309927(S)	0309927(S)	0309927(S)	0309927(S)	0309927(S)	0309927(S)



EVD-0016

Parts that are marked yellow are parts that are used for maintenance.