

DRE + exploded view DRE

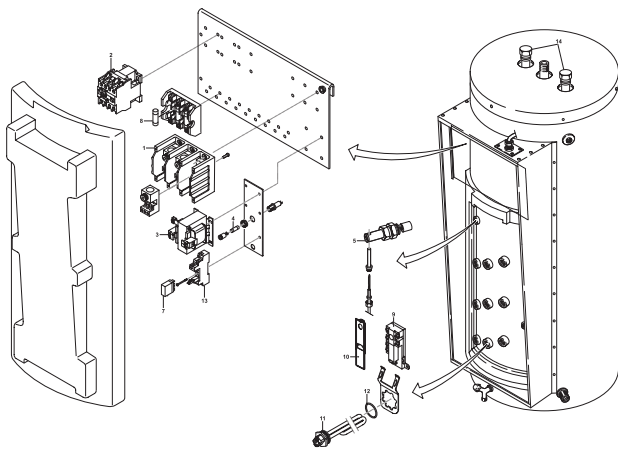
DRE parts



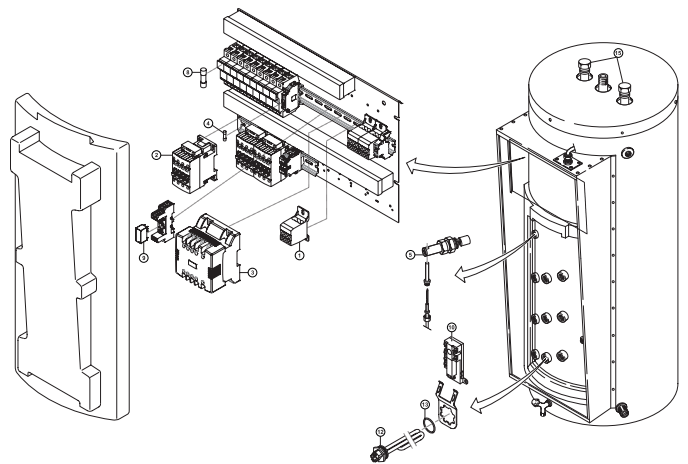
no	description	Date	52			80				120			
			9 kW	18 kW	36 kW	9 kW	18 kW	36 kW	54 kW	9 kW	18 kW	36 kW	54 kW
1	Thermal block	before 02-10-'11	0078268(S)	0078268(S)	0078269(S)	0078268(S)	0078268(S)	0078269(S)	0078269(S)	0078268(S)	0078268(S)	0078269(S)	0078269(S)
	Divider	After 03-10-'11	0310095(S)	0310095(S)	0310095(S)	0310095(S)	0310095(S)	0310095(S)	0310095(S)	0310095(S)	0310095(S)	0310095(S)	0310095(S)
2	Security relais	before 02-10-'11	0303084(S)	0303084(S)	0303084(S)	0303084(S)	0303084(S)	0303084(S)	0303084(S)	0303084(S)	0303084(S)	0303084(S)	0303084(S)
		After 03-10-'11	0310096(S)	0310096(S)	0310096(S)	0310096(S)	0310096(S)	0310096(S)	0310096(S)	0310096(S)	0310096(S)	0310096(S)	0310096(S)
3	Transformer	before 02-10-'11	0303111(S)	0303111(S)	0303111(S)	0303111(S)	0303111(S)	0303111(S)	0303111(S)	0303111(S)	0303111(S)	0303111(S)	0303111(S)
		After 03-10-'11	0310102(S)	0310102(S)	0310102(S)	0310102(S)	0310102(S)	0310102(S)	0310102(S)	0310102(S)	0310102(S)	0310102(S)	0310102(S)
4	Fuse 250 V AC-T 200 mA	before 02-10-'11	0303113(S)	0303113(S)	0303113(S)	0303113(S)	0303113(S)	0303113(S)	0303113(S)	0303113(S)	0303113(S)	0303113(S)	0303113(S)
	Fuse 1A/250V	After 03-10-'11	0310099(S)	0310099(S)	0310099(S)	0310099(S)	0310099(S)	0310099(S)	0310099(S)	0310099(S)	0310099(S)	0310099(S)	0310099(S)
5	Float valve		0303947(S)	0303947(S)	0303947(S)	0303947(S)	0303947(S)	0303947(S)	0303947(S)	0303947(S)	0303947(S)	0303947(S)	0303947(S)
6	Safety thermostat	before 25-03-'09	0303152(S)	0303152(S)	0303152(S)	0303152(S)	0303152(S)	0303152(S)	0303152(S)	0303152(S)	0303152(S)	0303152(S)	0303152(S)
7	Switch	before 02-10-'11	0303950(S)	0303950(S)	0303950(S)	0303950(S)	0303950(S)	0303950(S)	0303950(S)	0303950(S)	0303950(S)	0303950(S)	0303950(S)
8	Fuse 30A/600V	before 02-10-'11	0078272(S)	0078272(S)	0078272(S)	0078272(S)	0078272(S)	0078272(S)	0078272(S)	0078272(S)	0078272(S)	0078272(S)	0078272(S)
	Fuse 32A/400V	After 03-10-'11	0310104(S)	0310104(S)	0310104(S)	0310104(S)	0310104(S)	0310104(S)	0310104(S)	0310104(S)	0310104(S)	0310104(S)	0310104(S)
9	Relais	After 03-10-'11	0310100(S)	0310100(S)	0310100(S)	0310100(S)	0310100(S)	0310100(S)	0310100(S)	0310100(S)	0310100(S)	0310100(S)	0310100(S)
10	Thermostat		0076235(S)	0076235(S)	0076235(S)	0076235(S)	0076235(S)	0076235(S)	0076235(S)	0076235(S)	0076235(S)	0076235(S)	0076235(S)
11	Personnel protector	before 02-10-'11	0180163(S)	0180163(S)	0180163(S)	0180163(S)	0180163(S)	0180163(S)	0180163(S)	0180163(S)	0180163(S)	0180163(S)	0180163(S)
			0700771(S)	0042541024(S)	0042541024(S)	0700771(S)	0042541024(S)	0042541024(S)	0042541024(S)	0700771(S)	0042541024(S)	0042541024(S)	0042541024(S)
12	Element		0042537(S)	0042537(S)	0042537(S)	0042537(S)	0042537(S)	0042537(S)	0042537(S)	0042537(S)	0042537(S)	0042537(S)	0042537(S)
13	Gasket for element												
14	Selenoide switch socket	before 02-10-'11	0303951(S)	0303951(S)	0303951(S)	0303951(S)	0303951(S)	0303951(S)	0303951(S)	0303951(S)	0303951(S)	0303951(S)	0303951(S)
	Magnesium anode		0313623(S) (2x)	0313623(S) (2x)	0313623(S) (2x)	0183463039(S) (2x)	0183463039(S) (2x)	0183463039(S) (2x)	0183463039(S) (2x)	-	-	-	-
15	Magnesium anode (1270 mm)		-	-	-	-	-	-	-	0183463050(S) (2x)	0183463050(S) (2x)	0183463050(S) (2x)	0183463050(S) (2x)
	Flexible magnesium anode		0304728(S)	0304728(S)	0304728(S)	0304728(S)	0304728(S)	0304728(S)	0304728(S)	0304728(S)	0304728(S)	0304728(S)	0304728(S)

DRE accessories

description	52			80				120			
	9 kW	18 kW	36 kW	9 kW	18 kW	36 kW	54 kW	9 kW	18 kW	36 kW	54 kW
T&P valve 3/4"	0076527002(S)	0076527002(S)	0076527002(S)	0076527002(S)	0076527002(S)	0076527002(S)	0076527002(S)	0076527002(S)	0076527002(S)	0076527002(S)	0076527002(S)
Protected cold supply setup DN 32	0309926(S)	0309926(S)	0309926(S)	0309926(S)	0309926(S)	0309926(S)	0309926(S)	0309926(S)	0309926(S)	0309926(S)	0309926(S)



EVD-0035 BEFORE 03-10-'11



EVD-0057 AFTER 03-10-'11

Parts that are marked yellow are parts that are used for maintenance.

Please check the serial number to determine the production date:

172406210302002

year week