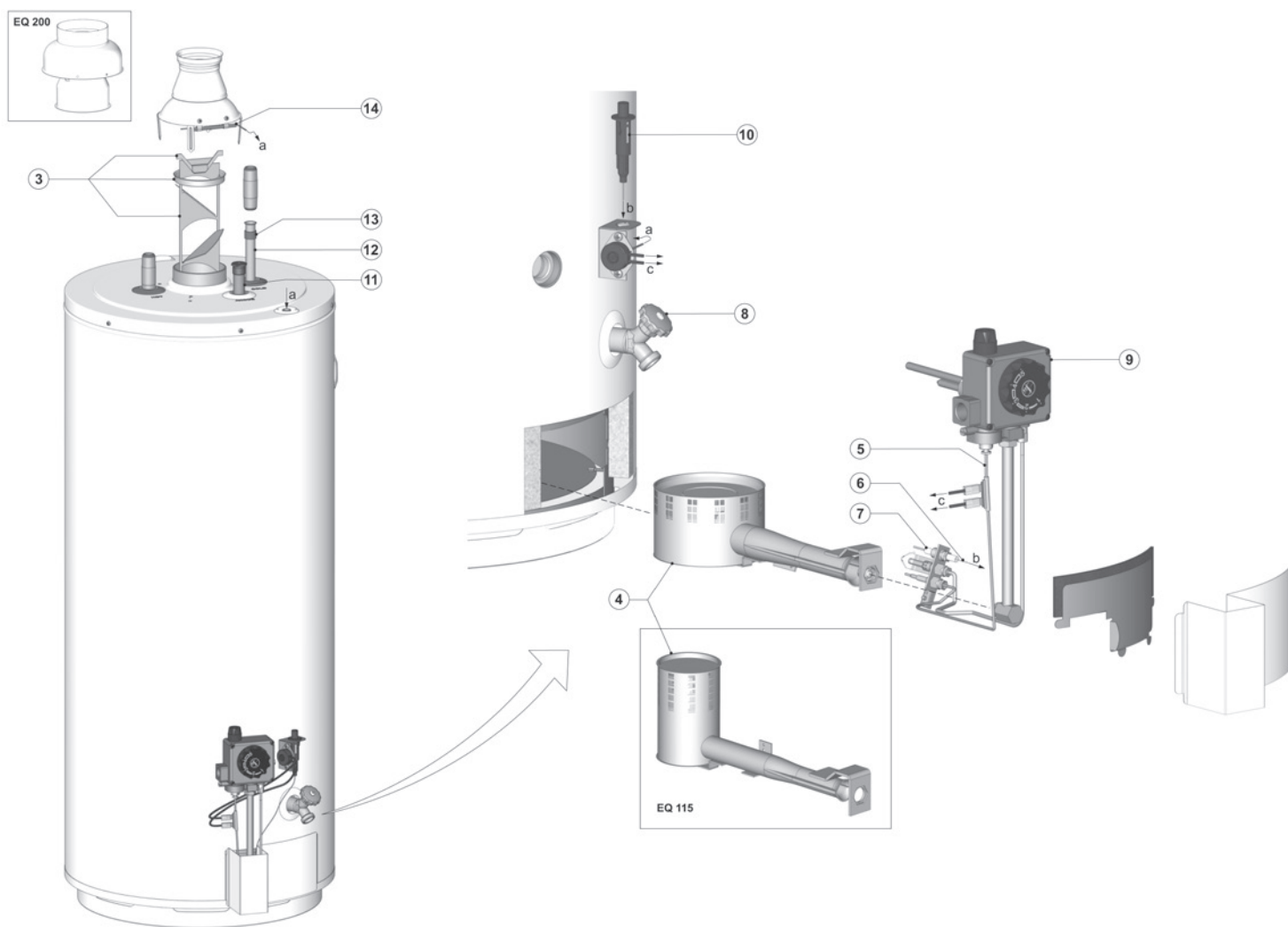


EQ + exploded view EQ 115/ 155 / 200

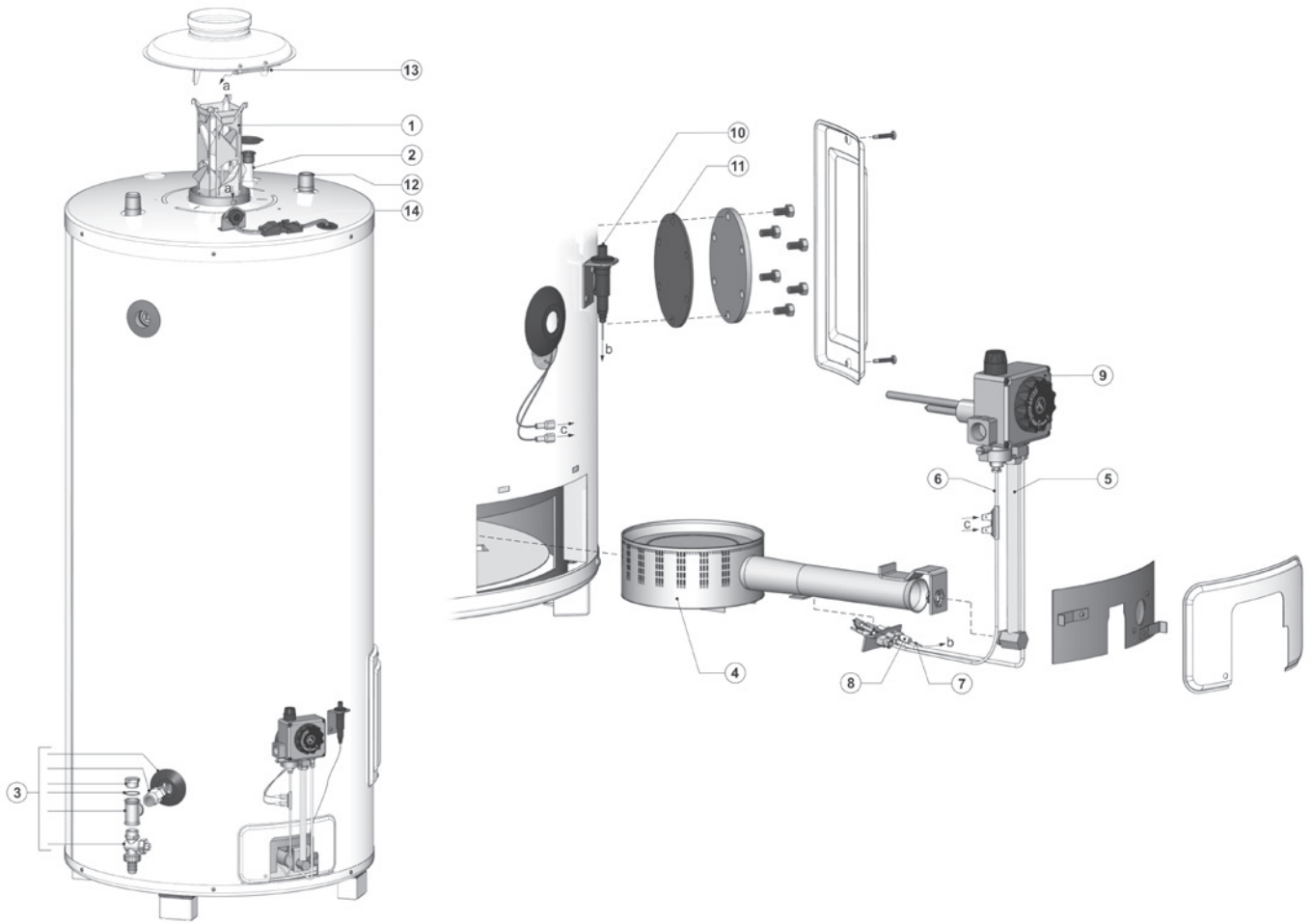
EQ/EQB accessories

description	date	EQ/EQB 115	EQ/EQB 155	EQ 200	EQH 200	EQB 5"	EQ/EQB 280	EQ 380
Conversion set to LP-gas	280 before 31-10-'07 380 before 21-07-'08	0301208(S)	0301211(S)	0301213(S)	0307781(S)	-	0301464(S)	0301466(S)
	280 after 01-11-'07 380 after 22-07-'08	-	-	-	0307781(S)	-	0308682(S)	0308709(S)
	EQB5" after 01-07-'06	-	-	-	-	0307779(S)	-	-
Conversion set to NAT-gas	280 before 31-10-'07 380 before 21-07-'08	0310403(S)	0310403(S)	0310403(S)	0307782(S)	-	0301794(S)	0301796(S)
	280 after 01-11-'07 380 after 22-07-'08	-	-	-	0307782(S)	-	0308683(S)	0308710(S)
	EQB5" after 01-07-'06	-	-	-	-	0307780(S)	-	-
Inlet security group 3/4" sfr		0302706(S)	0302706(S)	0302706(S)	-	-	0302706(S)	0302706(S)
Cleaning opening set		-	-	-	-	-	0305082(S)	0305082(S)
Gas cock		0300718(S)	0300718(S)	0300718(S)	-	0300718(S)	0300718(S)	0300718(S)



EVD-0012_R1

Exploded view EQ 280/ 380



EVD-0013

EQ / EQB

EQ + EQH parts



nr	Description	date	115	155	200	EQH 200
3	Flue baffle		0181382001(S)	0181382002(S)	0181382003(S)	0307363(S)
4	Burner		0300959(S)	0301159(S)	0301159(S)	0301159(S)
5	Thermocouple		0071872(S)	0071872(S)	0071872(S)	0071872(S)
6	Ignition cable		0303927(S)	0303927(S)	0303927(S)	0303927(S)
7	Electrode ignition		0071608(S)	0071608(S)	0071608(S)	0071608(S)
8	Drain valve		0042037001(S)	0042037001(S)	0042037001(S)	0042037001(S)
9	Gas control (NAT)		0300947(S)	0300947(S)	0300947(S)	0300947(S)
	Gas control (LP)		0300948(S)	0300948(S)	0300948(S)	0300948(S)
10	Piezo ignition		0307596(S)	0307596(S)	0307596(S)	0307596(S)
11	Anode		0183463023(S)	0183463039(S)	0183463039(S)	0183463039(S)
	Flexible anode		0304728(S)	0304728(S)	0304728(S)	0304728(S)
12	Cold water inlet		0183901026(S)	0183901035(S)	0183352037(S)	0183901047(S)
13	Sealing ring inlet		0183706(S)	0183706(S)	0183706(S)	0183706(S)
14	Thermostat roll-out protection		0071587(S)	0071587(S)	0071587(S)	0071587(S)
	Pilot burner (NAT)		0301820(S)	0301820(S)	0301820(S)	0301820(S)
	Pilot burner (LP)		0304315(S)	0304315(S)	0304315(S)	0304315(S)

nr	Description	date	280	380
1	Flue baffle	before 31-10-'07	0070239(S)	-
		before 21-08-'08	-	0301429(S)
		after 01-11-'07	0196172001(S)	-
		after 22-08-'08	-	0196172001(S)
2	Anode		0183463039(S)	0183463050(S)
	Flexible anode		0304728(S)	0304728(S)
3	Drain valve		0301022(S)	0301022(S)
4	Burner		0301399(S)	0301400(S)
5	Burner tube		0301839(S)	0301839(S)
6	Thermo couple		0071872(S)	0071872(S)
7	Ignition cable		0303927(S)	0303927(S)
8	Electrode ignition		0071608(S)	0071608(S)
9	Gas control (NAT)		0300947(S)	0300947(S)
	Gas control (LP)		0300948(S)	0300948(S)
10	Piezo ignition		0307596(S)	0307596(S)
11	Gasket inspection opening		0301136(S)	0301136(S)
12	Cold water inlet		0194132029(S)	0040542030(S)
13	Thermostat roll-out protection	before 01-11-'07	0301274(S)	0301274(S)
		after 01-12-'07	0308237(S)	-
		after 22-07-'08	-	0308237(S)
14	Thermostat roll-out protection connection cable		0305346(S)	0305346(S)
	Pilot burner (NAT)		0301820(S)	0301820(S)
	Pilot burner (LP)		0304586(S)	0304586(S)

EQB parts

no	description	date	115	155	EQB 200 5" *
3	Flue baffle		0181 382001(S)	0181 382002(S)	0307363(S)
4	Burner		0300959(S)	0301159(S)	0301159(S)
5	Thermo couple		0071872(S)	0071872(S)	0071872(S)
6	Ignition cable		0303927(S)	0303927(S)	0303927(S)
7	Electrode ignition		0071608(S)	0071608(S)	0071608(S)
8	Drain valve		0042037001(S)	0042037001(S)	0042037001(S)
9	Gas control (NAT)		0300949(S)	0300949(S)	0300949(S)
	Gas control (LP)		0301914(S)	0301914(S)	0301914(S)
10	Piezo ignition		0307596(S)	0307596(S)	0307596(S)
11	Anode		0183463023(S)	0183463039(S)	0183463039(S)
	Flexible anode		0304728(S)	0304728(S)	0304728(S)
12	Cold water inlet		0700045011(S)	0700045018(S)	0183901 047(S)
13	Sealing ring inlet		0183706(S)	0183706(S)	0183706(S)
14	Thermostat roll-out protection		0071587(S)	0071587(S)	0071587(S)
	Pilot burner (NAT)		0301820(S)	0301820(S)	0301820(S)
	Pilot burner (LP)		0304315(S)	0304315(S)	0304315(S)

Parts that are marked yellow are parts that are used for maintenance.