

# DRE

## Electric commercial water heater

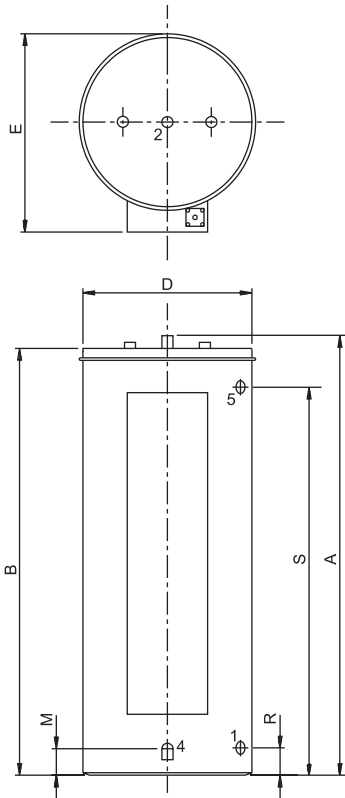
**DRE - 52/80**



Three phase electric water heater, primarily for commercial applications • Three to nine Incoloy-sheathed elements with a maximum rating of 54 kW • Each element is independently controlled via its own control thermostat (adjustable: 49 - 82°C) and a manually resettable high-limit thermostat • Cascade control of the elements for more efficient and faster heating-up times • All elements and thermostats are fuse-protected • PermaGlas Ultra Coat second-generation glass coating technology helps to prevent corrosion • Replaceable magnesium anode • Safety float switch • Optional ancillaries: Unvented kits • Destratification pump kit • Powered anodes • Alternate kW loadings



# Dimensions

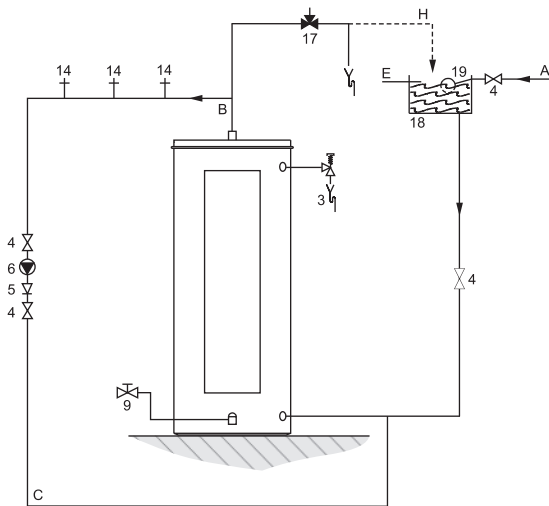


	DRE 52	DRE 80
A	1460	1580
B	1420	1540
D	560	640
E	690	790
M	125	125
R	125	125
S	1230	1335
1	Cold water	1 1/4-14 NPT
2	Hot water	1 1/4-14 NPT
4	Tank drain valve	3/4-14 NPT
5	T&P valve	3/4-14 NPT
6	Anode connection	Rp3/4

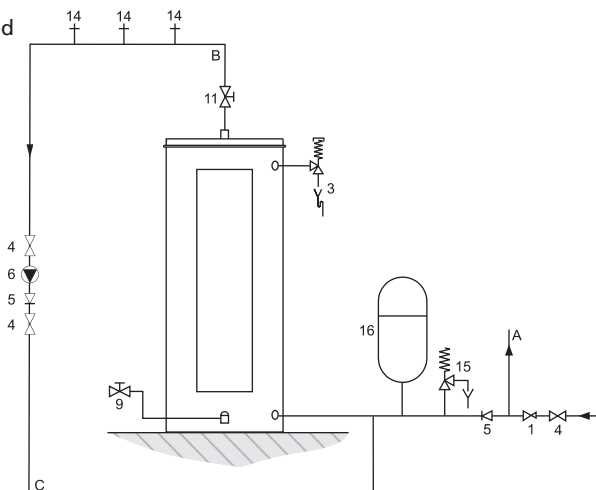
Dimensions in mm.

# Installation diagrams

Vented



Unvented



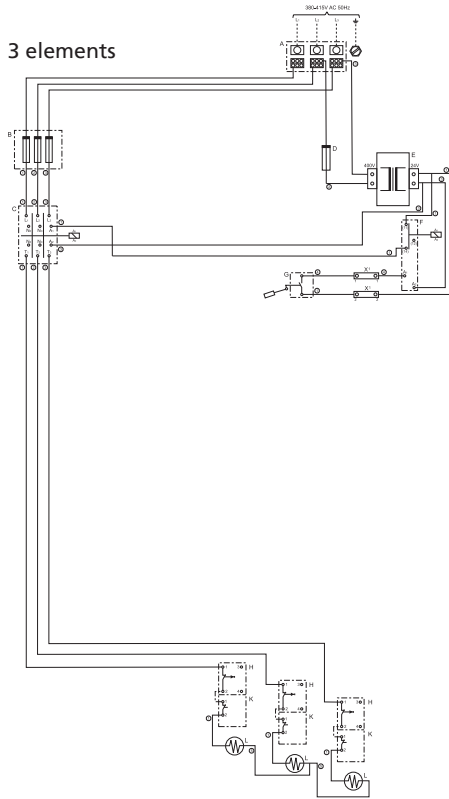
- 1 Pressure reducing valve
- 3 T&P valve
- 4 Stop valve
- 5 Non-return valve
- 6 Circulation pump
- 9 Drain valve
- 11 Service valve
- 14 Hot water tap
- 15 Expansion valve
- 16 Expansion vessel
- 17 Three way valve
- 18 Water cistern
- 19 Float valve

- A Cold water supply
- B Hot water outlet
- C Circulation pipe
- E Overflow pipe
- H Expansion pipe

A.O. Smith unvented system kits utilise combination valves

Further installation and connection details can be found in the Installation & Commissioning Manual.

# Electrical diagrams



## COMPONANTS

- A Terminal block
- B Fuse
- C Relais
- D Fuse
- E Transformator
- F Safety relais
- G Float switch
- H Maximum thermostat
- K Control thermostat
- L Electrical element
- X<sup>1</sup> Terminal block

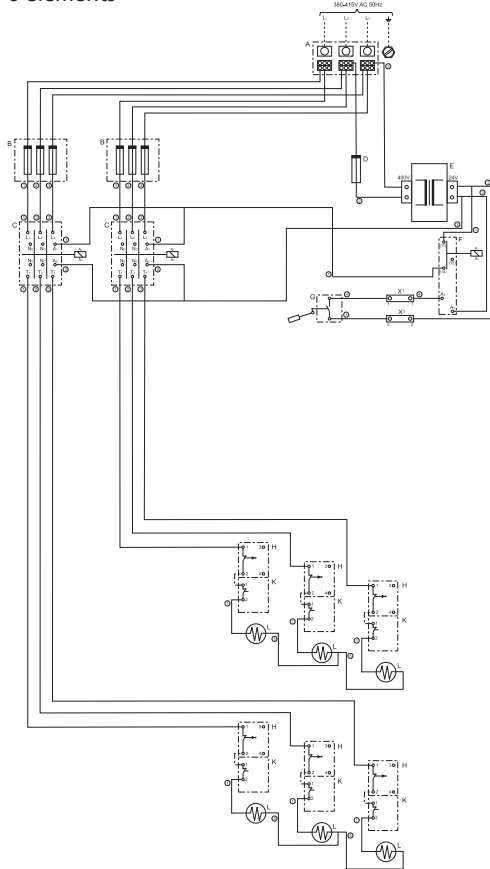
## Color code cables

- ① Black
- ② Red
- ③ Blue
- ④ Brown
- ⑤ White

In the instruction manual you will find all the necessary information regarding connection, installation and maintenance of the product; including information on the electrical connections.

Information regarding the recycling or disposal of the product can also be found in the manual. This manual is delivered with the appliance and can also be found on our website; [www.aosmith.co.uk](http://www.aosmith.co.uk).

6 elements



9 elements

