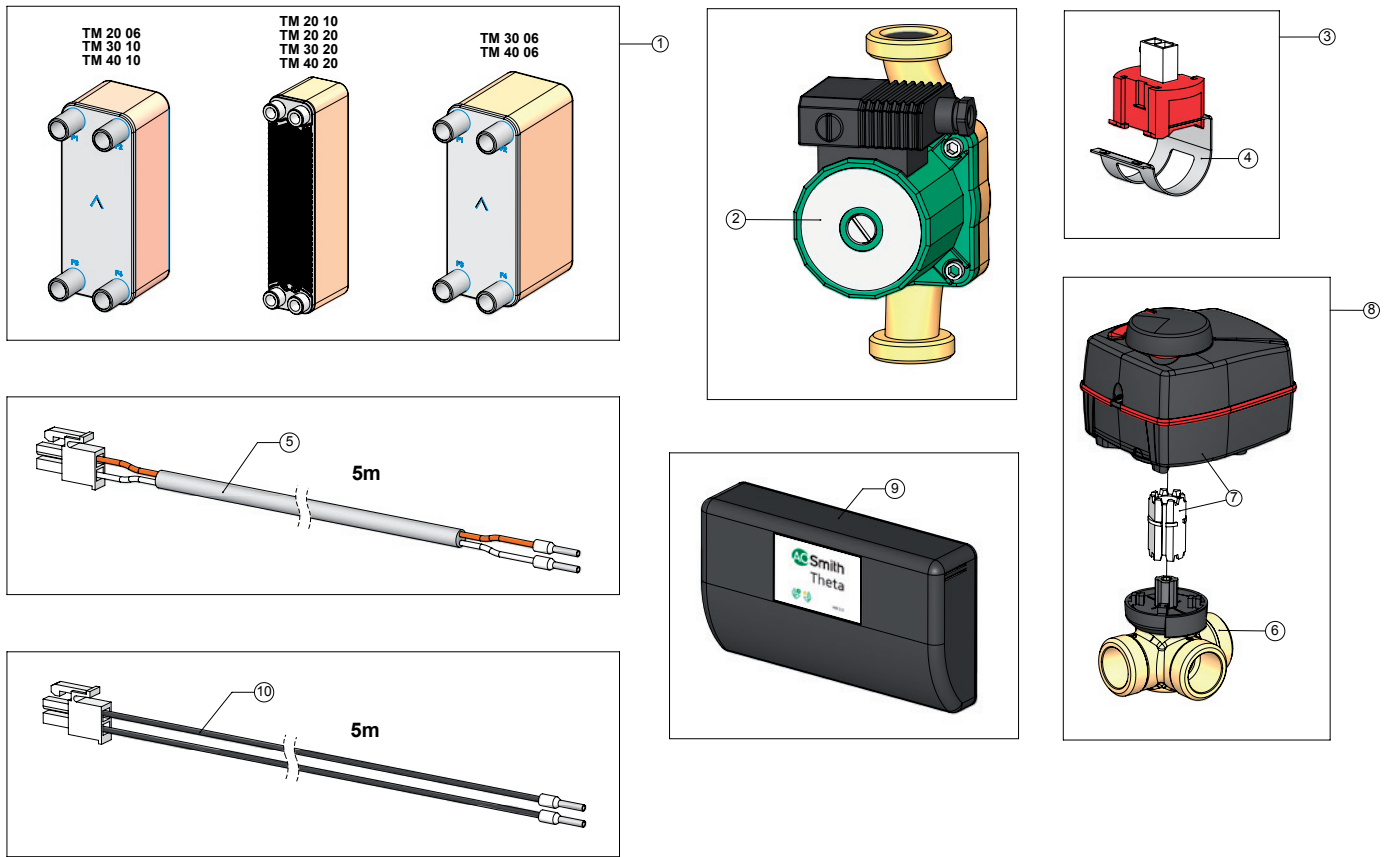


# Exploded view Theta spare parts for BFC Cyclone



EVD-0093

# Theta dual service

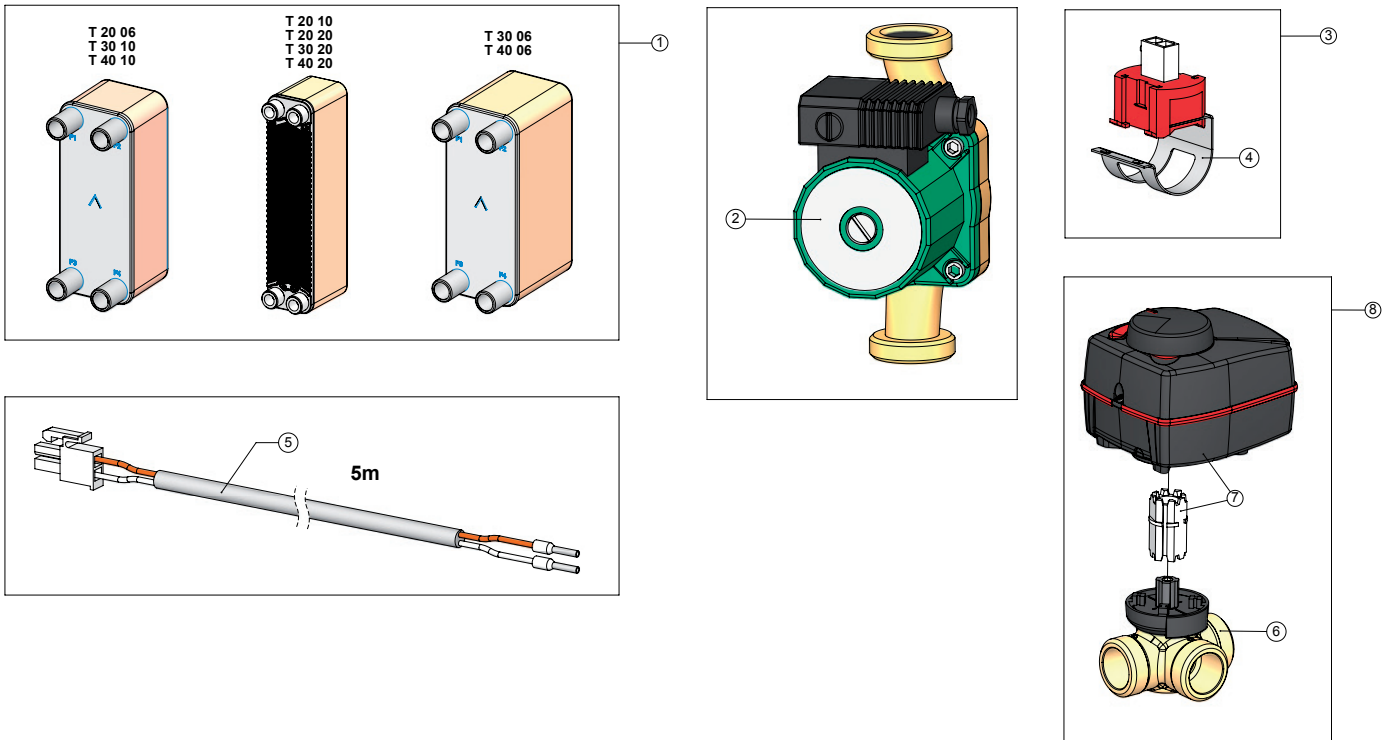
## Spare parts TM modules for BFC Cyclone

No.	Description	TM 20 06	TM 20 10	TM 20 20	TM 30 06	TM 30 10	TM 30 20	TM 40 06	TM 40 10	TM 40 20
1	Plate heat exchanger	0311104(S)	-	-	-	0311104(S)	-	-	0311104(S)	-
		-	0311001(S)	0311001(S)	-	-	0311001(S)	-	-	0311001(S)
		-	-	-	0311105(S)	-	-	0311105(S)	-	-
2	Pump (dual service system)	0311002(S)	0311002(S)	0311002(S)	0311002(S)	0311002(S)	0311002(S)	0311002(S)	0311002(S)	0311002(S)
3	Sensor + clip (dual service system)	0311003(S)	0311003(S)	0311003(S)	0311003(S)	0311003(S)	0311003(S)	0311003(S)	0311003(S)	0311003(S)
4	Sensor clip	0311004(S)	0311004(S)	0311004(S)	0311004(S)	0311004(S)	0311004(S)	0311004(S)	0311004(S)	0311004(S)
5	Sensor cable	0311005(S)	0311005(S)	0311005(S)	0311005(S)	0311005(S)	0311005(S)	0311005(S)	0311005(S)	0311005(S)
6	Housing of 3-way mixing valve	0311006(S)	0311006(S)	0311006(S)	0311006(S)	0311006(S)	0311006(S)	0311006(S)	0311006(S)	0311006(S)
7	Motor of 3-way mixing valve	0311007(S)	0311007(S)	0311007(S)	0311007(S)	0311007(S)	0311007(S)	0311007(S)	0311007(S)	0311007(S)
8	Complete 3-way mixing valve	0311035(S)	0311035(S)	0311035(S)	0311035(S)	0311035(S)	0311035(S)	0311035(S)	0311035(S)	0311035(S)
9	Control - Heat master	0311054(S)	0311054(S)	0311054(S)	0311054(S)	0311054(S)	0311054(S)	0311054(S)	0311054(S)	0311054(S)
10	Communication cable (control/appliance)	0308901(S)	0308901(S)	0308901(S)	0308901(S)	0308901(S)	0308901(S)	0308901(S)	0308901(S)	0308901(S)

## Accessories TM modules for BFC Cyclone

Description	TM 20 06	TM 20 10	TM 20 20	TM 30 06	TM 30 10	TM 30 20	TM 40 06	TM 40 10	TM 40 20
Insulation plate heat exchanger	0311106(S)	-	-	-	0311106(S)	-	-	0311106(S)	-
	-	0311011(S)	0311011(S)	-	-	0311011(S)	-	-	0311011(S)
	-	-	-	0311107(S)	-	-	0311107(S)	-	-

# Exploded view Theta spare parts for SGE & SGS



EVD-0092

# Theta dual service

## Spare parts T modules for SGE & SGS

No.	Description	T 20 06	T 20 10	T 20 20	T 30 06	T 30 10	T 30 20	T 40 06	T 40 10	T 40 20
1	Plate heat exchanger	0311104(S)	-	-	-	0311104(S)	-	-	0311104(S)	-
		-	0311001(S)	0311001(S)	-	-	0311001(S)	-	-	0311001(S)
		-	-	-	0311105(S)	-	-	0311105(S)	-	-
2	Pump (dual service system)	0311002(S)	0311002(S)	0311002(S)	0311002(S)	0311002(S)	0311002(S)	0311002(S)	0311002(S)	0311002(S)
3	Sensor + clip (dual service system)	0311003(S)	0311003(S)	0311003(S)	0311003(S)	0311003(S)	0311003(S)	0311003(S)	0311003(S)	0311003(S)
4	Sensor clip	0311004(S)	0311004(S)	0311004(S)	0311004(S)	0311004(S)	0311004(S)	0311004(S)	0311004(S)	0311004(S)
5	Sensor cable	0311005(S)	0311005(S)	0311005(S)	0311005(S)	0311005(S)	0311005(S)	0311005(S)	0311005(S)	0311005(S)
6	Housing of 3-way mixing valve	0311006(S)	0311006(S)	0311006(S)	0311006(S)	0311006(S)	0311006(S)	0311006(S)	0311006(S)	0311006(S)
7	Motor of 3-way mixing valve	0311007(S)	0311007(S)	0311007(S)	0311007(S)	0311007(S)	0311007(S)	0311007(S)	0311007(S)	0311007(S)
8	Complete 3-way mixing valve	0311035(S)	0311035(S)	0311035(S)	0311035(S)	0311035(S)	0311035(S)	0311035(S)	0311035(S)	0311035(S)

## Accessories T modules for SGE & SGS

Description	T 20 06	T 20 10	T 20 20	T 30 06	T 30 10	T 30 20	T 40 06	T 40 10	T 40 20
Insulation plate heat exchanger	0311106(S)	-	-	-	0311106(S)	-	-	0311106(S)	-
	-	0311011(S)	0311011(S)	-	-	0311011(S)	-	-	0311011(S)
	-	-	-	0311107(S)	-	-	0311107(S)	-	-