

## DRE + exploded view DRE

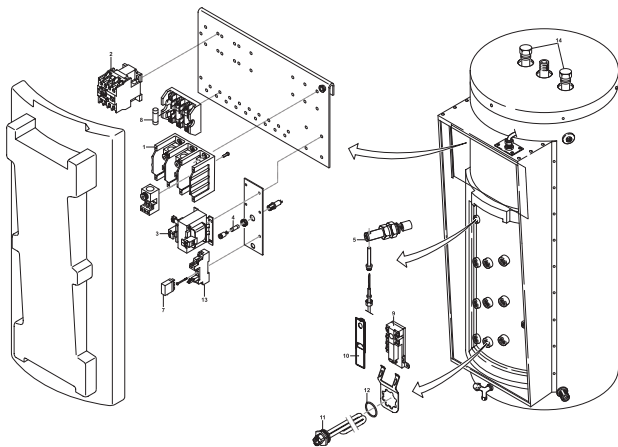
### DRE parts



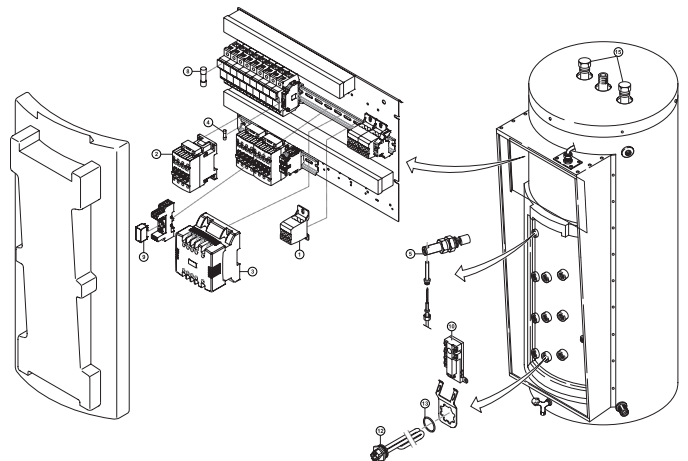
no	description	Date	52			80				120			
			9 kW	18 kW	36 kW	9 kW	18 kW	36 kW	54 kW	9 kW	18 kW	36 kW	54 kW
1	Thermal block	before 2-10-'11	0078268(S)	0078268(S)	0078269(S)	0078268(S)	0078268(S)	0078269(S)	0078269(S)	0078268(S)	0078268(S)	0078269(S)	0078269(S)
	Divider	After 3-10-'11	0310095(S)	0310095(S)	0310095(S)	0310095(S)	0310095(S)	0310095(S)	0310095(S)	0310095(S)	0310095(S)	0310095(S)	0310095(S)
2	Security relais	before 2-10-'11	0303084(S)	0303084(S)	0303084(S)	0303084(S)	0303084(S)	0303084(S)	0303084(S)	0303084(S)	0303084(S)	0303084(S)	0303084(S)
		After 3-10-'11	0310096(S)	0310096(S)	0310096(S)	0310096(S)	0310096(S)	0310096(S)	0310096(S)	0310096(S)	0310096(S)	0310096(S)	0310096(S)
3	Transformer	before 2-10-'11	0303111(S)	0303111(S)	0303111(S)	0303111(S)	0303111(S)	0303111(S)	0303111(S)	0303111(S)	0303111(S)	0303111(S)	0303111(S)
		After 3-10-'11	0310102(S)	0310102(S)	0310102(S)	0310102(S)	0310102(S)	0310102(S)	0310102(S)	0310102(S)	0310102(S)	0310102(S)	0310102(S)
4	Fuse 250 V AC-T 200 mA Fuse 1A/250V	before 2-10-'11	0303113(S)	0303113(S)	0303113(S)	0303113(S)	0303113(S)	0303113(S)	0303113(S)	0303113(S)	0303113(S)	0303113(S)	0303113(S)
		After 3-10-'11	0310099(S)	0310099(S)	0310099(S)	0310099(S)	0310099(S)	0310099(S)	0310099(S)	0310099(S)	0310099(S)	0310099(S)	0310099(S)
5	Float valve		0303947(S)	0303947(S)	0303947(S)	0303947(S)	0303947(S)	0303947(S)	0303947(S)	0303947(S)	0303947(S)	0303947(S)	
6	Safety thermostat	before 25-03-'09	0303152(S)	0303152(S)	0303152(S)	0303152(S)	0303152(S)	0303152(S)	0303152(S)	0303152(S)	0303152(S)	0303152(S)	
7	Switch	before 2-10-'11	0303950(S)	0303950(S)	0303950(S)	0303950(S)	0303950(S)	0303950(S)	0303950(S)	0303950(S)	0303950(S)	0303950(S)	
8	Fuse 30A/600V Fuse 32A/400V	before 2-10-'11	0078272(S)	0078272(S)	0078272(S)	0078272(S)	0078272(S)	0078272(S)	0078272(S)	0078272(S)	0078272(S)	0078272(S)	
		After 3-10-'11	0310104(S)	0310104(S)	0310104(S)	0310104(S)	0310104(S)	0310104(S)	0310104(S)	0310104(S)	0310104(S)	0310104(S)	
9	Relais	After 3-10-'11	0310100(S)	0310100(S)	0310100(S)	0310100(S)	0310100(S)	0310100(S)	0310100(S)	0310100(S)	0310100(S)	0310100(S)	
10	Thermostat		0076235(S)	0076235(S)	0076235(S)	0076235(S)	0076235(S)	0076235(S)	0076235(S)	0076235(S)	0076235(S)	0076235(S)	
11	Personnel protector	before 2-10-'11	0180163(S)	0180163(S)	0180163(S)	0180163(S)	0180163(S)	0180163(S)	0180163(S)	0180163(S)	0180163(S)	0180163(S)	
12	Element		0700771(S)	0042541024(S)	0042541024(S)	0700771(S)	0042541024(S)	0042541024(S)	0042541024(S)	0700771(S)	0042541024(S)	0042541024(S)	
13	Gasket for element		0042537(S)	0042537(S)	0042537(S)	0042537(S)	0042537(S)	0042537(S)	0042537(S)	0042537(S)	0042537(S)	0042537(S)	
14	Selenoide switch socket Magnesium anode	before 2-10-'11	0303951(S)	0303951(S)	0303951(S)	0303951(S)	0303951(S)	0303951(S)	0303951(S)	0303951(S)	0303951(S)	0303951(S)	
			0313623(S) (2x)	0313623(S) (2x)	0313623(S) (2x)	0183463039(S) (2x)	0183463039(S) (2x)	0183463039(S) (2x)	0183463039(S) (2x)	-	-	-	-
15	Magnesium anode (1270 mm) Flexible magnesium anode		-	-	-	-	-	-	-	0183463050(S) (2x)	0183463050(S) (2x)	0183463050(S) (2x)	0183463050(S) (2x)
			0304728(S)	0304728(S)	0304728(S)	0304728(S)	0304728(S)	0304728(S)	0304728(S)	0304728(S)	0304728(S)	0304728(S)	0304728(S)

### DRE accessories

DRE accessories												



**EVD-0035 BEFORE 3-10-'11**



**EVD-0057 AFTER 3-10-'11**

Parts that are marked yellow are parts that are used for maintenance.

Please check the serial number to determine the production date:

**172406210302002**

year week