

EES + exploded view EES

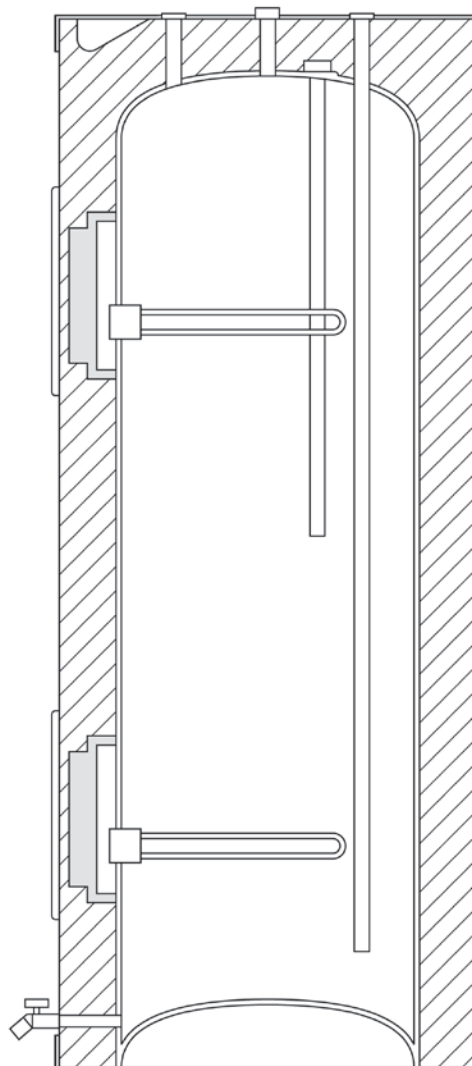
EES parts



no	description	date	6	15	20	30	40	52	66	80	120
1	Control thermostat + reset button		0040836(S)	0040836(S)	0040836(S)	0040832(S)	0040832(S)	0040832(S)	0040832(S)	0040832(S)	0040832(S)
2	Control thermostat + reset button		-	-	-	0040834(S)	0040834(S)	0040834(S)	0040834(S)	0040834(S)	0040834(S)
3	Protection thermostat + reset button	before 02-10-'11	0180163(S)	0180163(S)	0180163(S)	0180163(S)	0180163(S)	0180163(S)	0180163(S)	0180163(S)	0180163(S)
4	Protection thermostat		-	-	-	n.a.	n.a.	n.a.	n.a.	n.a.	n.a.
5	Element (3 kW)		-	-	-	0700771(S)	0700771(S)	0700771(S)	0700771(S)	0700771(S)	0700771(S)
	Element (2 kW)		0700771001(S)	0700771001(S)	0700771001(S)	-	-	-	-	-	-
6	Gasket element		0042537(S)	0042537(S)	0042537(S)	0042 537(S)	0042537(S)	0042537(S)	0042537(S)	0042537(S)	0042537(S)
7	Inlet tube	before 25-05-'22	-	-	-	-	-	-	-	-	0183776052(S)
		after 26-05-'22	-	-	-	-	-	-	-	-	0336040(S)
8	Drain valve		-	-	0026273004(S)	0026273004(S)	0026273004(S)	0026273004(S)	0026273004(S)	0026273004(S)	0026273004(S)
9	Anode		0183463009(S)	0183463012(S)	n.a.	n.a.	0183463019(S)	0183463023(S)	0183463039(S)	0183463039(S)	0183463039(S)
	Flexible anode		-	-	-	0304728(S)	0304728(S)	0304728(S)	0304728(S)	0304728(S)	0304728(S)

EES accessories

description	6	15	20	30	40	52	66	80	120
T&P valve 3/4"	0076527004(S)	0076527004(S)	0076527004(S)	0076527004(S)	0076527004(S)	0076527004(S)	0076527004(S)	0076527004(S)	0076527004(S)



Parts that are marked yellow are parts that are used for maintenance.